

# 3000mm dia. Ocean Buoy

## TRIDENT-3000: Polyethylene Tower

Sealite have a range of mooring chains & accessories - ask your representative today how we can supply your complete mooring solution

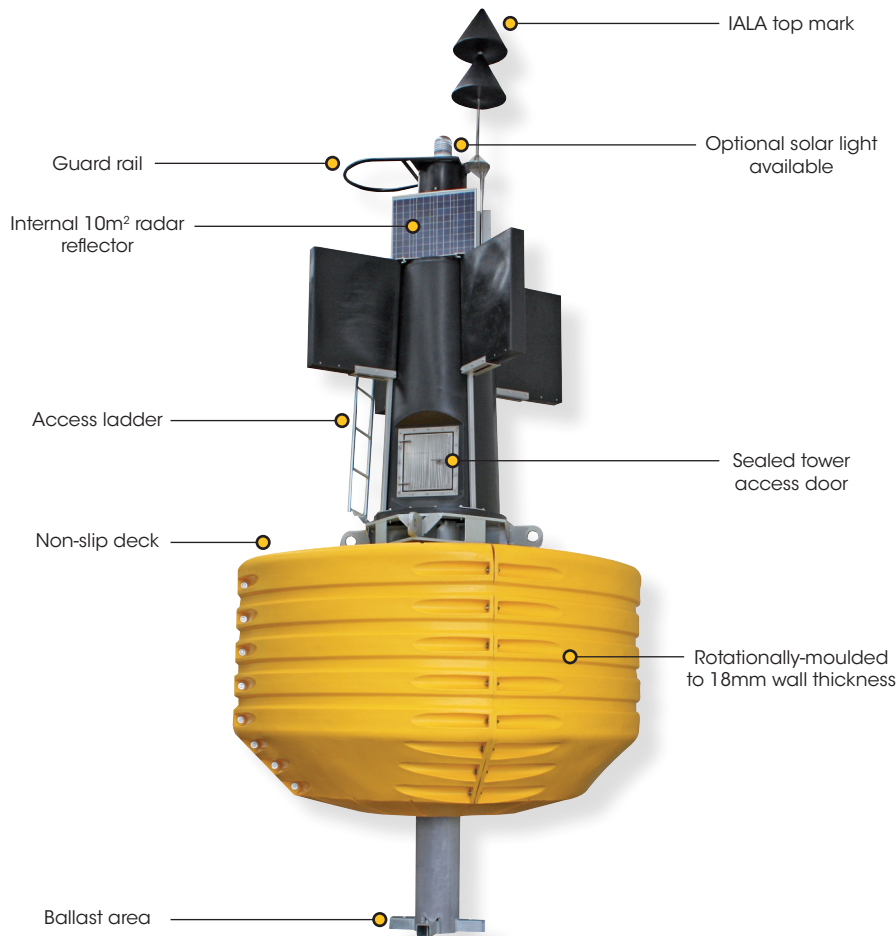
### The Sealite Advantage

- High visibility red, green, white or yellow as per IALA recommendations
- Robust construction of 4 quadrant hull sections
- Lightweight
- Large battery & payload section
- Excellent buoyancy & stability
- Easy to deploy & service
- No painting, ever
- Cost effective & environmentally friendly
- Convenient forklift access points to safely manoeuvre the buoy assembly



Environmentally Friendly & Recyclable

Sealite buoy products are made from recyclable materials. As a service to customers, individual components and products at the end of their service life may be returned to Sealite for recycling.



**The TRIDENT-3000 is one of the largest rotationally-moulded buoys available, with a float diameter of 3 meters and lantern focal height of up to 5 meters.**

The float section of the TRIDENT-3000 is built from four (4) rotationally-moulded quadrants, which fasten together to form an incredibly robust 3 meter wide float section standing 1.8 meters tall. Each quadrant is moulded from UV-stabilised, virgin polyethylene, and has an 18mm wall thickness. In addition, each section is filled with closed-cell polyurethane, which prevents the ingress of moisture in the unlikely event of damage.

A galvanised steel or 316-grade stainless steel mooring pole runs through the centre of the assembly, to which the tower section is fastened. Four large lifting eyes aid in buoy mooring and periodic servicing.

The enhanced poly-tower design provides a huge visual area for navaid recognition, and consists of two sealed, rotationally-moulded tower sections. The lower section incorporates a battery access door and houses batteries, controllers and any ancillary electronic payload. The top section incorporates an internal radar reflector and solar mount facility.

Rotationally-moulded panelling is fitted to the outside of the tower section to create a large coloured visual area for marking. The replaceable panelling also simplifies cardinal marking and gives operators flexibility in stocking spare components. No part of the structure requires painting at any stage of the product's life span.

An integrated ladder with harness attachment points runs vertically up the tower to the top of the platform.

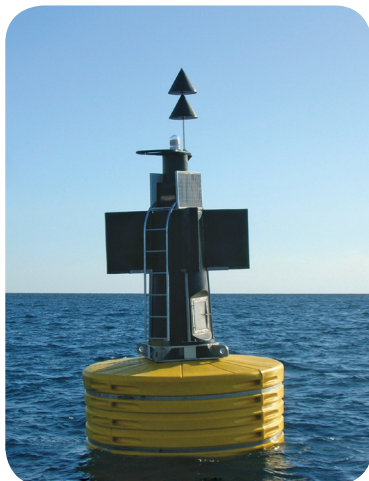
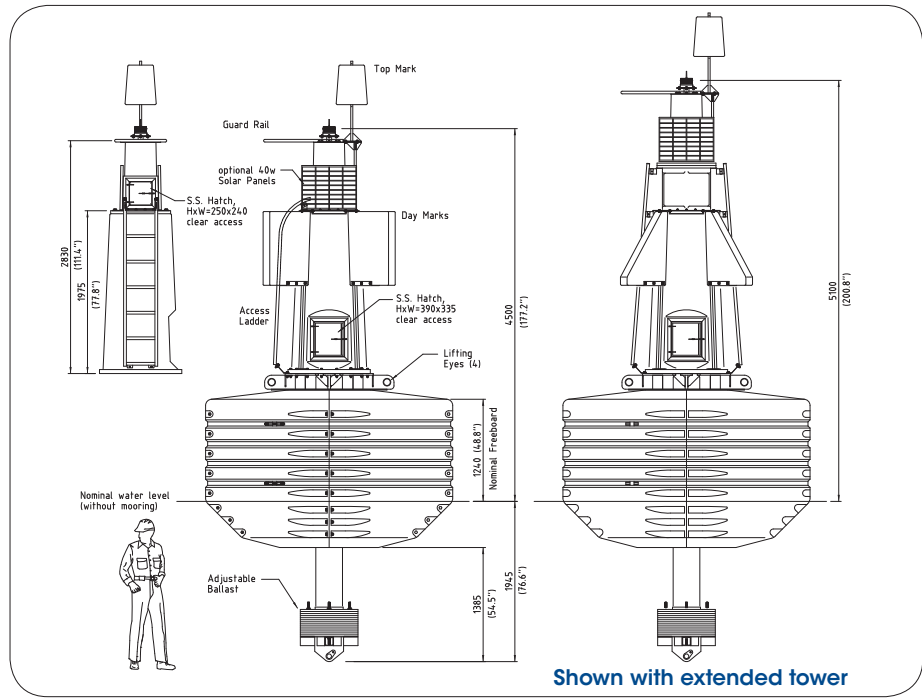
A large counterweight offers exceptional stability in a variety of exposed regions.

The TRIDENT-3000 can be supplied in all IALA colours.



# 3000mm dia. Ocean Buoy

## TRIDENT-3000: Polyethylene Tower



TRIDENT-3000 Damman Port, Saudi Arabia



TRIDENT-3000 installation, Middle East



\* Specifications subject to change or variation without notice  
\* Subject to standard terms and conditions

### SPECIFICATIONS \* TRIDENT-3000

#### Polyethylene Tower

#### General Characteristics

Available Colours  
Focal Plane Height (mm/inches)  
Total Float Volume (ltrs/US gallon)  
Nominal Freeboard (mm/inches)  
Nominal Draft (mm/inches)  
Reserve Buoyancy (kgs/lbs)  
Maximum Mooring Load (kgs/lbs)  
Draft, Maximum (mm/inches)  
Freeboard, Minimum (mm/inches)  
Safe Working Load, 1pt (kgs/lbs)  
Safe Working Load, 2pt (kgs/lbs)  
Submergence (kg/cm, lb/inches)  
Visual Area (m<sup>2</sup>/ft<sup>2</sup>)

Red, Green, White, Yellow as per IALA Recommendations  
4500 / 177.2  
11000 / 2906  
1240 / 48<sup>3</sup>/<sub>4</sub>  
1945 / 76<sup>1</sup>/<sub>2</sub>  
3170 / 6990  
2750 / 6063  
2400 / 94<sup>1</sup>/<sub>2</sub>  
800 / 31<sup>1</sup>/<sub>2</sub>  
6000 / 13228 (one lifting point)  
8630 / 19025 (two lifting points)  
72 / 403  
7.1 / 76.4 (with daymark)  
6.4 / 68.9 (without daymark)  
2.1 / 22.6

Water Area (m<sup>2</sup>/ft<sup>2</sup>)

#### Physical Characteristics

Material

Rotationally-moulded  
UV-stabilised virgin polyethylene float section, tower assembly, top marks and panelling.  
316-grade stainless steel fixtures.

Wall Thickness (mm/inches)

18 / <sup>3</sup>/<sub>4</sub>

Ballast (kg/lbs)

765 / 1687 external steel

Filling

Closed-cell polyurethane foam (float section)

Height (mm/inches)

7900 / 311

Width (mm/inches)

3000 / 118<sup>1</sup>/<sub>8</sub>

Mass (kg/lbs)

2580 / 5688 (depending on payload)

Radar Reflector

Echomax

Product Life Expectancy

>20 years

#### Certifications

IALA

Surface colours compliant to IALA E-108

Quality Assurance

ISO9001:2008

#### Intellectual Property

Trademarks

SEALITE® is a registered trademark of Sealite Pty Ltd

5 years

#### Warranty \*

#### Lantern Options

Sealite SL-C310, SL-C410, SL-C415, SL-C420 SL-125 Series or SL-155 Series

#### Options Available

- Mould-in graphics
- Day marks
- Rotationally-moulded side-panelling
- Monitoring Systems (AIS, GSM)
- Unfilled Float Section
- Tower Extension (Focal Plane height: 5100mm / 200<sup>3</sup>/<sub>4</sub>inches)