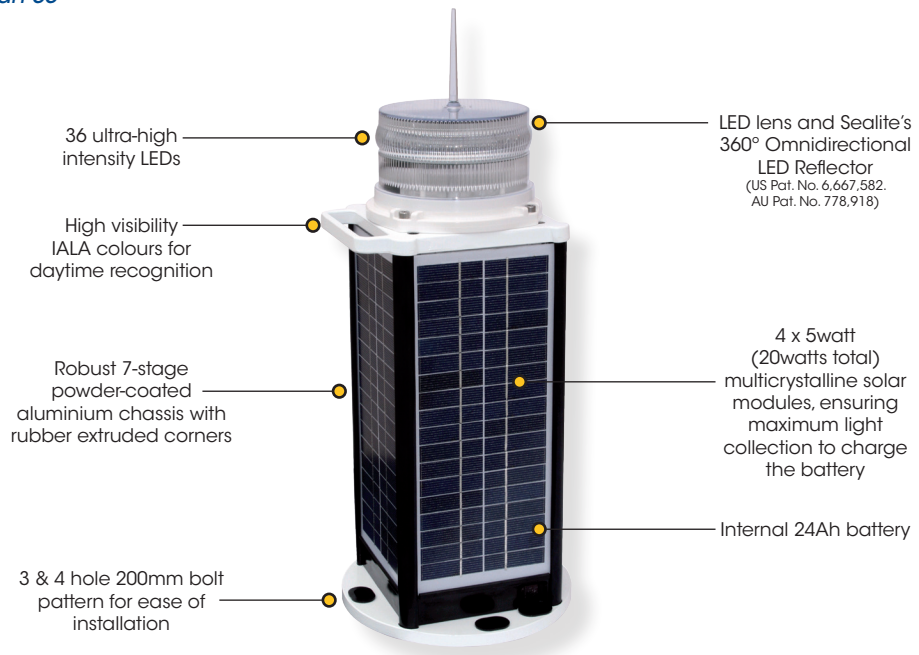
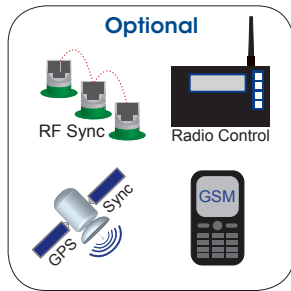


4-5NM+ Solar Marine Lantern

SL-C420

This equipment complies with requirements of the U.S. Coast Guard in 33 CFR part 66



The Sealite Advantage

- Simplicity of design ensures ease of maintenance in the field
- Heavy-duty aluminium construction
- All components are user-replaceable in the unlikely event of damage
- 200mm bolt pattern for immediate installation on existing structures
- User-replaceable battery
- Vertical light emissions to maintain visibility when passing adjacent to light

The SL-C420 is a robust, completely self-contained 4-5NM+ Solar LED Marine Lantern which incorporates a 36 LED light source for even greater light intensity. The 3 & 4 hole bolt pattern base fits directly onto existing 200mm bolt pattern industry standard mounts for ease of installation.

The chassis of the SL-C420 is made from cast aluminium, subject to 7-stage powder-coating in high visibility IALA colours for daytime recognition, with UV-stabilised rubber corners and gaskets providing a superior IP68 waterproof rating – the best in the industry.

Four (4) premium-grade solar modules are integrated into the assembly and mounted to collect sunlight at all angles.

The unit is capable of producing any of 256 IALA recommended flash characters – field-adjustable without the need for ancillary equipment.

The tough polycarbonate lens is specifically designed for use with LEDs and incorporates an environment-friendly bird spike – deterring unwelcome bird life. The lens design also ensures that vessel operators clearly see the light from above, when passing the AtoN.

Optional RF Synchronisation or GPS Synchronisation

The SL-C420 may be fitted with an optional RF Synchronisation module for short range flash synchronisation. For flash synchronisation of lanterns installed over longer ranges, a GPS module may be fitted.

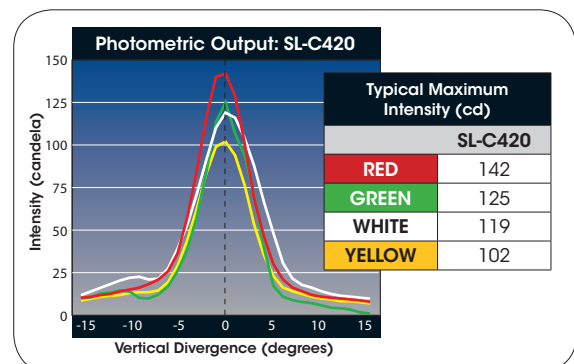
When lanterns flash in synchronisation they can be clearly distinguished from other nav aids and confusing background lighting – ideal for rivers, marina entrances, channel marking and aquaculture.

Optional GSM Monitoring & Control System

The SL-C420 may also be fitted with GSM Cell-Phone Monitoring and Control – enabling users to access real-time diagnostics data and change lantern settings via cell-phone. The system can also be configured to send out alarm SMS text messages to designated cellular telephone numbers. Users can also have alarms and reports sent to designated email addresses.

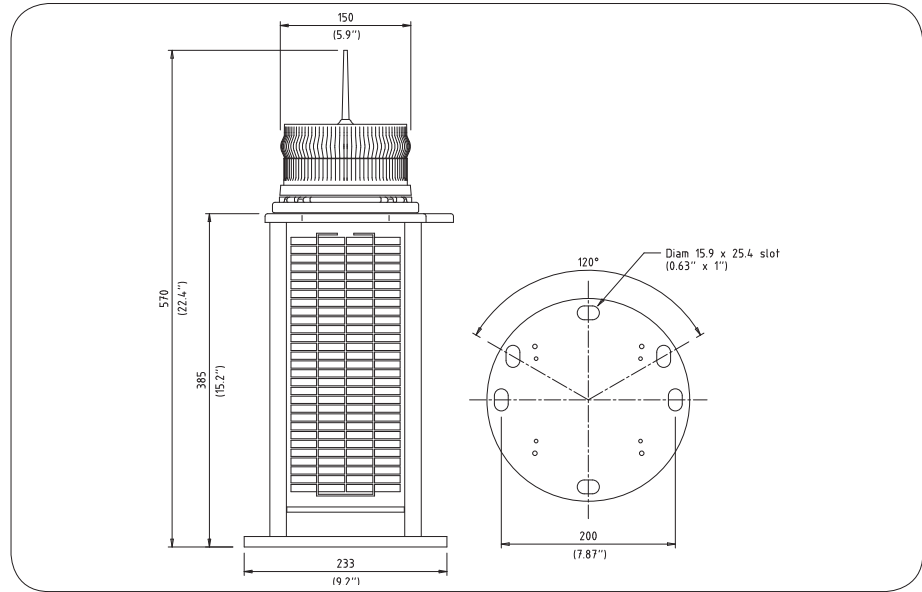
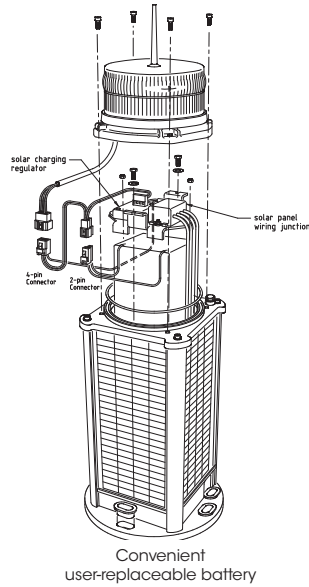
Optional Radio Control System

Radio Control may be fitted to the SL-C420 model enabling users to remotely modify the setup of their lantern via handheld radio controller.



4-5NM+ Solar Marine Lantern

SL-C420



Cork, Ireland



Queensland, Australia



SL-C420's mounted on SL-B1250 Navigation Buoys, Pasig River, Manila, Philippines

SPECIFICATIONS * SL-C420

Light Characteristics

Light Source
Available Colours
Typical Maximum Intensity (cd)†
Visible Range (NM)

Horizontal Output (degrees)
Vertical Divergence (degrees)
Reflector Type

Available Flash Characteristics
Intensity Adjustments
LED Life Expectancy (hours)

Electrical Characteristics

Current Draw (mA)
Circuit Protection
Nominal Voltage (V)
Autonomy (days)
Temperature Range

Solar Characteristics

Solar Module Type
Output (watts)
Charging Regulation

Power Supply

Battery Type
Battery Capacity (Ah)
Nominal Voltage (V)

Physical Characteristics

Body Material

Lens Material
Lens Diameter (mm/inches)
Lens Design
Mounting
Height (mm/inches)
Width (mm/inches)
Mass (kg/lbs)
Product Life Expectancy

Certifications

CE
IALA
Quality Assurance
Waterproof

Intellectual Property

Patents
Trademarks

Warranty *

Options Available

36 Ultra-high intensity LEDs
Red, Green, White, Yellow, Blue
Red - 142 Green - 125 White - 119 Yellow - 102
AT @ 0.74: 4-5+
AT @ 0.85: 4.8-6.3+
360
9
Omnidirectional 360° LED Reflector
(US Pat. No. 6,667,582. AU Pat. No. 778,918)
Up to 256 IALA recommended (user adjustable)
Adjustable in 25% increments
>100,000

Refer to Sealite Power Calculator
Integrated
12
>15 (14 hour darkness, 12.5% duty cycle)
-40 to 80°C

Multicrystalline
20 (4 x 5watt)
Microprocessor controlled

Gel SLA
24
12

7-stage powder-coated aluminium chassis with UV-stabilised rubber corners and gaskets
LEXAN® Polycarbonate - UV-stabilised
150 / 5 7/8
External optics with interior flute design
3 & 4 hole 200mm bolt pattern
570 / 22 1/2
233 / 9 1/5
13.9 / 30 5/8
Up to 12 years

EN61000-6-3:1997. EN61000-6-1:1997
Signal colours compliant to IALA E-200-1
ISO9001:2008
IP68

US Pat. No. 6,667,582. AU Pat. No. 778,918
SEALITE® is a registered trademark of Sealite Pty Ltd
3 years

- GPS Synchronisation
- RF Synchronisation
- GSM Monitoring & Control System
- Radio Control System
- 50mm pole mount adapter plate



* Specifications subject to change or variation without notice
* Subject to standard terms and conditions
† Intensity setting subject to solar availability