



SLB1500

**1500mm dia. Navigation Buoy
Installation & Service Manual**

Product Features & Technical Specifications

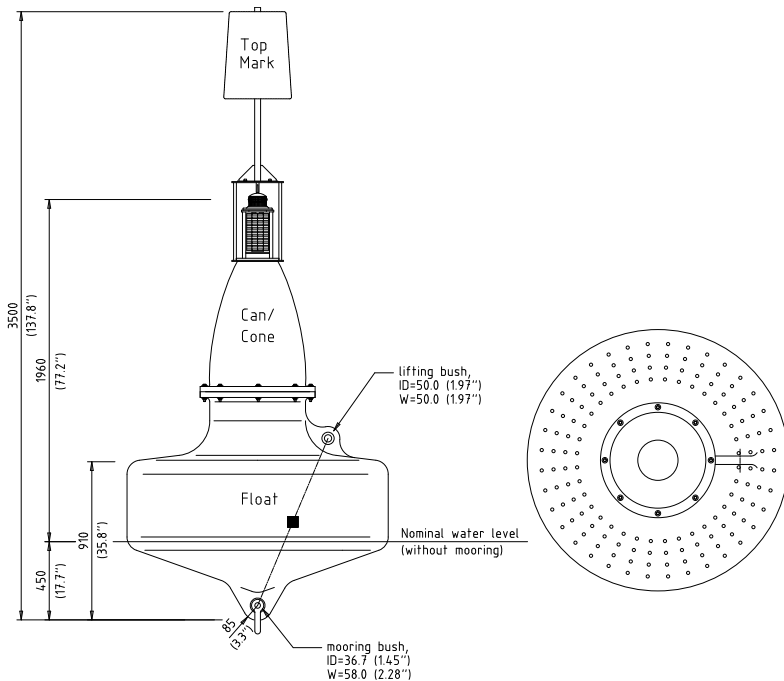
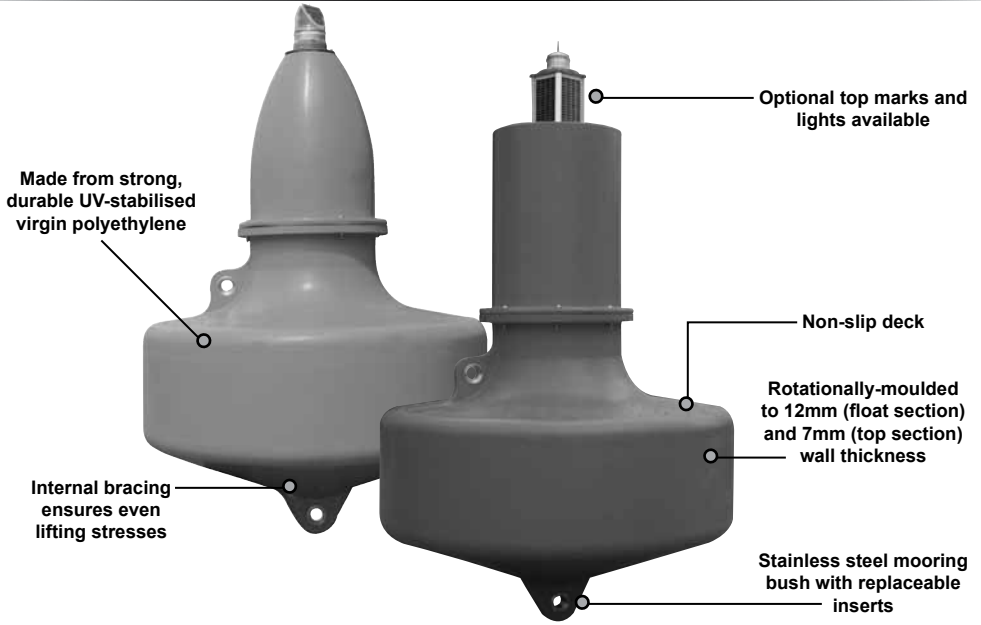


Table of Contents

Introduction.....Page 4

Sealite Buoy Division.....Page 4

Why Choose Polyethylene Buoys?.....Page 4

Mooring Requirements & Regulations.....Page 4

SLB1500 Navigation Buoy.....Page 5

 Product Components.....Page 6

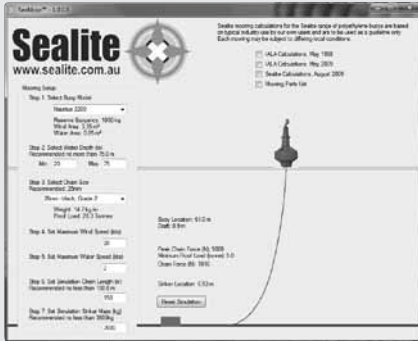
 Assembly Instructions.....Page 7

 Mooring Instructions.....Page 8

Marine Buoy Maintenance.....Page 10

Sealite Buoy Warranty.....Page 11

SEAMOOR™ - SEALITE MOORING CALCULATOR



As a service to valued customers, Sealite has developed an advanced mooring calculator based in IALA guidelines and experience from major users.

The system simulates site mooring based on local conditions.

Contact Sealite today for a FREE copy.

Version No.	Description	Date	Approved
1.0	Manual Launch	June 2010	A. Dixon
2.0	Update: Quality Logo	July 2011	J. Dore
2.1	Update: Spec Table	May 2012	J. Dore

Introduction

Congratulations! By choosing to purchase a Sealite Buoy, you have become the owner of one of the most advanced rotationally-moulded polyethylene marine buoys in the world.

Sealite Pty Ltd has been manufacturing buoys for over 25 years, and particular care has been taken to ensure your buoy gives years of service.

As a commitment to producing the highest quality products for our customers, Sealite has been independently certified as complying with the requirements of ISO9001:2008 quality management system.

By taking a few moments to browse through this booklet, you will become familiar with the versatility of your buoy, and be able to maximise its operating function.

Sealite Buoy Division

Sealite marine buoys are manufactured on-site from rotationally-moulded UV-stabilised polyethylene, and are designed to offer a low-maintenance, high visibility solution to marine navigation.

The Sealite buoy division provides turn-key production of navigation buoys. From tooling development, raw materials selection, and production, to final testing and inspection, Sealite guarantees superior quality and fast turn-around times.

Sealite's buoy products are available in a wide range of configurations and sizes, and can be economically shipped worldwide.

Why Choose Polyethylene Buoys?

- No painting
- Inhibits growth
- Increased interval between servicing
- Routine maintenance on location
- Easily repaired in the unlikely event of damage
- Lightweight for ease of deployment and maintenance
- Environmentally friendly – no use of toxic antifouling paint

Mooring Requirements & Regulations

Please contact your local authority for any specific requirements regarding the deployment of buoys. IALA also has guidelines and recommendations that should be followed.

All information given in this manual is advisory only. Please consult with your local authority before deploying your buoy products.

Local conditions that need to be considered include:-

- Water depth
- Maximum currents
- Maximum wind speeds
- Sinker size and weight

SLB1500 Navigation Buoy

The Sealite SLB1500 is an extremely robust, high visibility 1500mm dia. navigation buoy perfect for a variety of installations including inland waterways, harbour and coastal nav aids.

The SLB1500 has a one-piece rotationally moulded float section which incorporates an internal stainless steel brace that is linked between the lifting and mooring eyes. This brace ensures even stresses across the buoy during lifting, creating an incredibly robust AtoN with a service life of up to 20 years

SPECIFICATIONS •

General Characteristics

Available Colours	Red, Green, White, Yellow as per IALA Recommendations
Focal Plane Height (mm/inches)	1960 / 77 ¹ / ₈
Total Float Volume (litrs/US gallon)	1120 / 296
Nominal Freeboard (mm/inches)	460 / 18 ¹ / ₈
Nominal Draft (mm/inches)	450 / 17 ³ / ₄
Reserve Buoyancy (kgs/lbs)	280 / 617
Maximum Mooring Load (kgs/lbs)	280 / 617
Draft, Maximum (mm/inches)	605 / 23 ³ / ₄
Freeboard, Minimum (mm/inches)	300 / 11 ³ / ₄
Safe Working Load, 1pt (kgs/lbs)	2300 / 5074
Submergence (kg/cm, lb/inches)	18.2 / 101.9

Physical Characteristics

Material	Rotationally-moulded UV-stabilized virgin polyethylene, internal 316-grade stainless steel bracing
Wall Thickness (mm/inches)	12 / 1/2 (float section), 7 / 1/4 (top section)
Ballast (kg/lbs)	70 / 154
Filling	Closed-cell polyurethane foam (float section)
Height (mm/inches)	3500 / 137 ³ / ₄
Width (mm/inches)	1500 / 59 ¹ / ₈
Mass (kg/lbs)	220 / 485
Product Life Expectancy	>20 years

Certifications

Quality Assurance	ISO9001:2008
-------------------	--------------

Intellectual Property

Trademarks	SEALITE® is a registered trademark of Sealite Pty Ltd
Warranty *	5 years

Lantern Options

Options Available

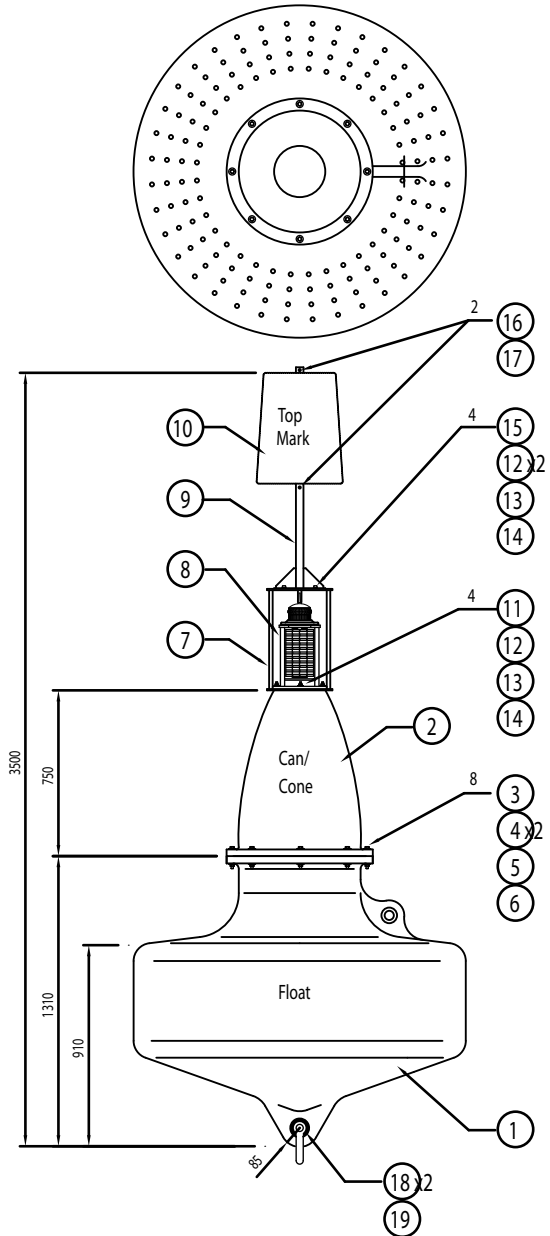
- Sealite SL15, SL60, SL70, SLC310 or SLC420 lantern
- Mould-in graphics
 - Sealite IALA recommended top marks
 - Radar reflector



- Specifications subject to change or variation without notice
- * Subject to standard terms and conditions

SLB1500 Product Components

No	Description	Qty
1	SLB1500 Float (with internal ballast & fill)	1
2	SLB1500 Cone or SLB1500 Can (with internal brace)	1
3	S/S Bolt, Ø10 x 90 (min Grade 70)	8
4	S/S Penny Washer, Ø10 x 31 OD	16
5	S/S Spring Washer Ø10	8
6	S/S Plain Nut, Ø10 (min Grade 70)	8
7	SLB1250 Top Mark Cage (SLC310 shown)	1
8	Lantern (SLC310 shown)	1
9	SLB1250 Top Mark 970	1
10	Top Mark (Port, Starboard, Danger)	1
11	S/S Bolt, Ø8 x 65 (min Grade 70) pre installed	4
12	S/S Washer, Ø8 x 31 OD	12
13	S/S Spring Washer, Ø8	8
14	S/S Plain Nut, Ø8 (min Grade 70)	8
15	S/S Socket Head Cap Screw, Ø8 x 25 (min Grade 70)	4
16	S/S Bolt Ø6 x 40 (min Grade 70)	2
17	S/S Self Locking Nut Ø6	2
18	SLB1750 Lug Bush	2
19	D-Shackle Grade M, Ø32 with Ø35 pin inside width 60 x length 114	1





SLB1500 Assembly Instructions

Check Components

- Unload all components from crate or container.
- Check all components are complete and correct. Use assembly diagram on following page for full list of components.

Assembly

- Fit the top section to the float section using 8x M10 x 90mm stainless steel bolts, M10 x 31 flat washers, M10 spring washers and M10 nuts.
- Fit the top mark assembly and lantern to the top section using M8 x 65 (pre-assembled), M8 x 31 OD flat washer, M8 spring washer and M8 nuts.
- Check the light operation. Cover light with a dark jacket or towel and allow 60 seconds for the light to activate.
- Fit the lug bushes to the mooring point if not already fitted.
- Fit the D shackle to the mooring point.

SLB1500 Mooring Instructions

Check Components

- Unpack all Mooring and check all components are complete and correct.

Prepare & Attach Chain

- Fit and secure 1 x Ø32mm Shackle and 1 x Ø32mm Swivel Eye through the Mooring Lug Bushes of the SLB1500 float section.

Note: All Shackles must be positively locked. For example use 3mm Stainless Steel wire to lock the pin eye, or use a shackle pin with nut and split pin.

- Fit and secure a length of chain to the Swivel Eye using 1 x Ø32mm Shackle.

Note: Please use the guides below to determine the correct chain size and length.

Attach Mooring Block

- Fit and secure the Chain to the Mooring Block.
- The Buoy is now ready for deployment.

Chain Size Guide

Water Depth		Recommended Chain Size (from swivel to mooring block)
Metres	Feet	
3 to 6	10 to 20	28mm
6 to 15	20 to 49	25mm
15 to 20	49 to 66	22mm
20 to 25	66 to 82	20mm

Chain Length Guide

	Recommended Length of Chain	Maximum Water Depth
Best Practice	3 x Water Depth	17.5m
For Reduced Water Circle (use only where current <2kts)	Not less than 2 x Water Depth	25m

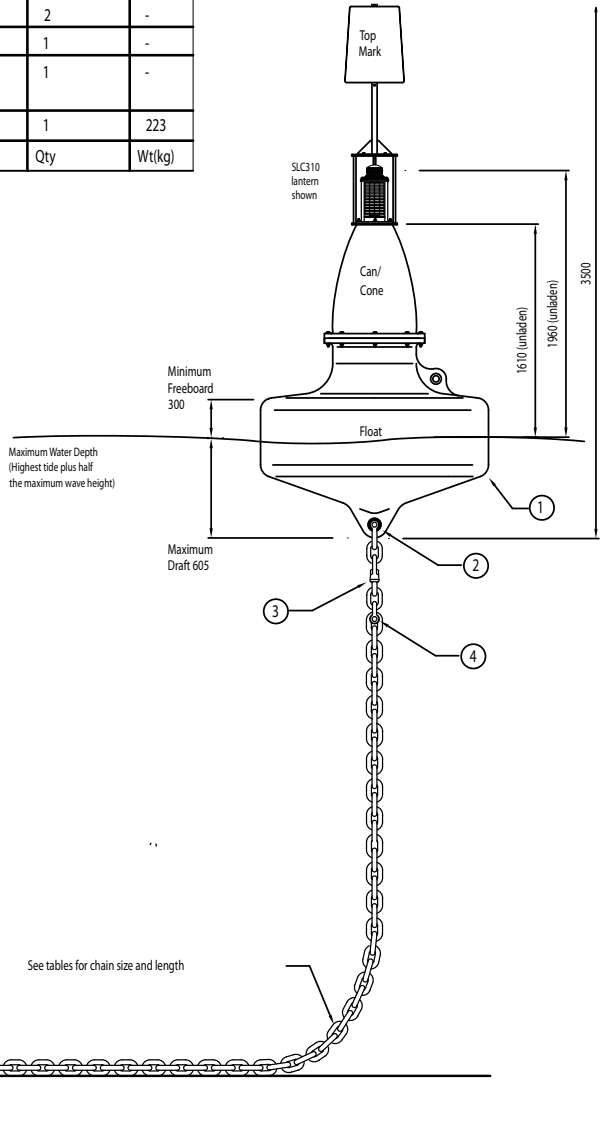
Note:

Recommendations given herein are advisory only. As each buoy installation varies, the buoy operator should establish fitness for purpose prior to installation

4	D-Shackle Grade S, ø25 with ø29 pin	2	-
3	Swivel Eye & Eye, ø32 or larger	1	-
2	D-Shackle Grade M, ø32 with ø35 pin inside width 60 x length 114	1	-
1	slb1500_assemblyXX.dxf	1	223
Item	Material Description	Qty	Wt(kg)

NOTES:-

- 1/ Shackles, swivel and chain are to be load rated products.
- 2/ Total weight of buoy equipment plus wet weight of suspended mooring line should not exceed 280kg.
- 3/ All shackle pins are to be positively locked. eg using 2mm S.S. wire to lock pin eye, or use shackle pin with nut and split-pin.





Marine Buoy Maintenance

Sealite Marine Buoys are designed to require very little maintenance. We recommend the buoy be inspected annually. Inspection may need to increase depending on the local conditions and the position of the buoy.

IALA Recommendation AISM E-107 suggests moorings are inspected annually.

Marine Buoy – Annual Maintenance

- Visually inspect buoy for damage
- Inspect the top mark for any damage. Repair any broken or damaged section.
- Clean buoy of animal debris

Mooring – Annual Maintenance

- Check and clear the tail and ride chains from shells and algae.
- Check for wear on any shackle axis and check the tapered pins. Any worn shackles must be replaced.
- Check the free movement of each swivel around its head. If any swivel head sticks it must be replaced.
- Check every link of the thrash length of the chain. Check the diameter of the nips and sides and also inspect the welds on every link.
- If depth allows, a worn riding chain may be reversed.
- Change a chain when any link shows excessive wear.
- Chain must be replaced if any link wears to less than 3/5 of the original diameter.

Mooring – Biannual Maintenance

- Inspect the ground chain and sinker.

Lanterns – Maintenance

- Please refer to the Installation Manual for the specific Marine Lantern fitted to the Buoy.

Sealite Buoy Warranty V2.1

Activating the Warranty

Upon purchase, the Sealite Pty Ltd warranty must be activated for recognition of future claims. To do this you have two (2) options:

1. **Postal Registration** - please complete the Sealite Warranty Registration Card and return to Sealite within 30 days of your purchase.
2. **Online Registration** - please complete the Online Registration Form at; www.sealite.com

Sealite Pty Ltd will repair or replace your buoy product in the event of failure for a period of up to twelve months (small buoy products less than 1500mm diameter) & a period of up to five years (large buoy products 1500mm diameter & larger) from the date of purchase.

The unit must be returned to Sealite freight prepaid.

Warranty Terms

1. Sealite Pty Ltd warrants that any rotationally-moulded buoy products ("Buoy Products") will be free from defective materials and workmanship under normal and intended use, subject to the conditions hereinafter set forth, for a period of twelve (12) months for small buoy products up to under 1500mm diameter, and for a period of five (5) years for large buoy products including and over 1500mm in diameter from the date of purchase by the original purchaser.
2. Sealite Pty Ltd will repair or replace, at Sealite's sole discretion, any Buoy Products found to be defective in material and workmanship in the relevant warranty period so long as the Warranty Conditions (set out below) are satisfied.

Warranty Conditions

This Warranty is subject to the following conditions and limitations;

1. The warranty is applicable to buoys manufactured from 1/1/2009.
2. The warranty is void and inapplicable if:
 - a. the product has been used or handled other than in accordance with the instructions in the owner's manual and any other information or instructions provided to the customer by Sealite;
 - b. the product has been deliberately abused, or misused, damaged by accident or neglect or in being transported; or
 - c. the defect is due to the product being repaired or tampered with by anyone other than Sealite or authorised Sealite repair personnel.
3. The customer must give Sealite Pty Ltd notice of any defect with the product within 30 days of the customer becoming aware of the defect.
4. No modifications to the original specifications determined by Sealite shall be made without written approval of Sealite Pty Ltd.
5. The product must be packed and returned to Sealite Pty Ltd by the customer at his or her sole expense. Sealite Pty Ltd will pay return freight of its choice. A returned product must be accompanied by a written description of the defect and a photocopy of the original purchase receipt. This receipt must clearly list model and serial number, the date of purchase, the name and address of the purchaser and authorised dealer and the price paid by the purchaser. On receipt of the product, Sealite Pty Ltd will assess the product and advise the customer as to whether the claimed defect is covered by this warranty.
6. Sealite Pty Ltd reserves the right to modify the design of any product without obligation to purchasers of previously manufactured products and to change the prices or specifications of any product without notice or obligation to any person.

Limitation of Liability

To the extent permitted by section 68A of the Trade Practices Act 1974 (Cth), the liability of Sealite Pty Ltd under this Warranty will be, at the option of Sealite Pty Ltd, limited to either the replacement or repair of any defective product covered by this Warranty. Sealite will not be liable to Buyer for consequential damages resulting from any defect or deficiencies.

Limited to Original Purchaser

This Warranty is for the sole benefit of the original purchaser of the covered product and shall not extend to any subsequent purchaser of the product.

Miscellaneous

Apart from the specific warranties provided under this warranty, all other express or implied warranties relating to the above product is hereby excluded to the fullest extent allowable under law. The warranty does not extend to any lost profits, loss of good will or any indirect, incidental or consequential costs or damages or losses incurred by the purchaser as a result of any defect with the covered product.

Warrantor

Sealite Pty Ltd has authorised distribution in many countries of the world. In each country, the authorised importing distributor has accepted the responsibility for warranty of products sold by distributor. Warranty service should normally be obtained from the importing distributor from whom you purchased your product. In the event of service required beyond the capability of the importer, Sealite Pty Ltd will fulfil the conditions of the warranty. Such product must be returned at the owner's expense to the Sealite Pty Ltd factory, together with a photocopy of the bill of sale for that product, a detailed description of the problem, and any information necessary for return shipment.

Information in this manual is subject to change without notice and does not represent a commitment on the part of the vendor.
Sealite products are subject to certain Australian and worldwide patent applications.

Other Sealite Products Available



**Marine Lanterns
(1-12nm+)**



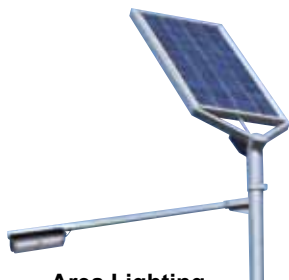
**Monitoring
& Control Systems**



Bridge & Barge Lights



**Marine Buoys
(up to 3mt in diameter)**



Area Lighting



**Mooring Systems
& Accessories**



Sealite
www.sealite.com

Head Office
Sealite Pty Ltd
11 Industrial Drive
Somerville, Vic 3912
Australia
Tel: +61 3 5977 6128
Fax: +61 3 5977 6124
Email: info@sealite.com
Internet: www.sealite.com

