

Spar Buoy

SL-B1060 & SL-B576

SL-B576 Model



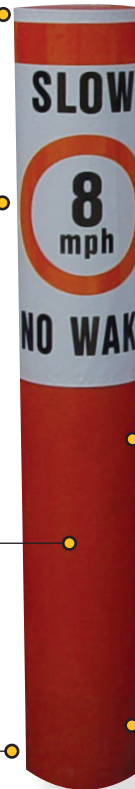
Optional reflective stripe

Signage on 10oz buoy wrap (SL-B1060 Model)

Completely foam filled with 2lb/cu ft USCG accepted injected foam

Anchor point recessed in base

SL-B1060 Model



Self righting

Heavy duty, one piece, UV-stabilised, polyethylene shell

Concrete counterweight for upright performance

The Sealite Advantage

- Heavy duty, polyethylene shell
- Available in 61" or 76" height
- Recessed anchor point
- Completely foam filled — virtually unsinkable
- Concrete internal counterweight
- Low acquisition cost
- Suitable for sub zero temperatures
- Optional reflective band for unmatched night visibility
- Optional SL-15 or SL-60 solar lantern (SL-B1060 model)
- Custom signage available

The Sealite spar buoys are a high-quality, affordable buoys ideal for marking hazards, mooring fields and channels in lakes and ponds.

The buoys are available in 61 inch and 76 inch heights. They are rotationally-moulded in one piece using UV-stabilised polyethylene making them almost indestructible. The buoys are completely foam filled for added strength and buoyancy and are virtually unsinkable in the unlikely event of damage.

The anchor point is recessed giving the buoys a flat base so they are able to stand upright for easy and convenient storage.

An internal concrete counterweight gives the buoy a lower center of gravity, providing more stability so the buoy is able to stand more upright on station.

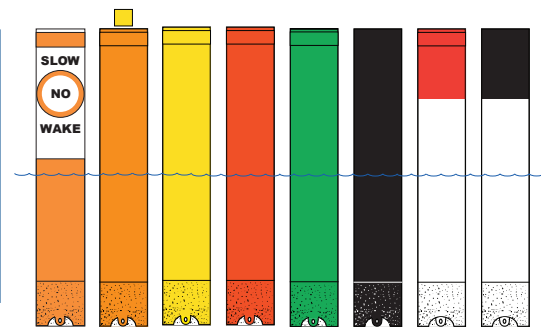
The USCG approved optional reflective band gives unmatched night time visibility. The SL-B1060 buoy can be fitted with an SL-15 or SL-60 solar lantern further increasing visibility to 1-3NM+.

The SL-1060 is available with customizable signage made from a vinyl 'buoy wrap' which is easily replaced if damaged.

Custom colours are available on request.

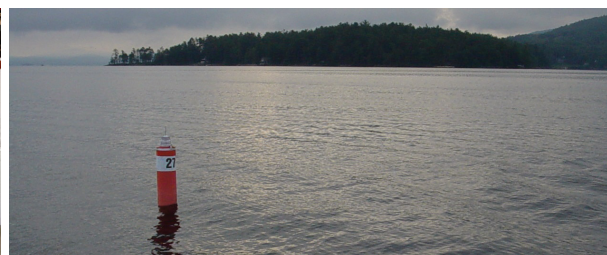
Available Configurations

Regulatory buoy: Orange/white
Hazard buoy: Orange
Special purpose marks: Yellow
Channel markers: Black, red or green
Navigation buoy: White with red top
Navigation buoy: White with black top



Environmentally Friendly & Recyclable

Sealite buoy products are made from recyclable materials. As a service to customers, individual components and products at the end of their service life may be returned to Sealite for recycling.



Spar Buoy

SL-B1060 & SL-B576



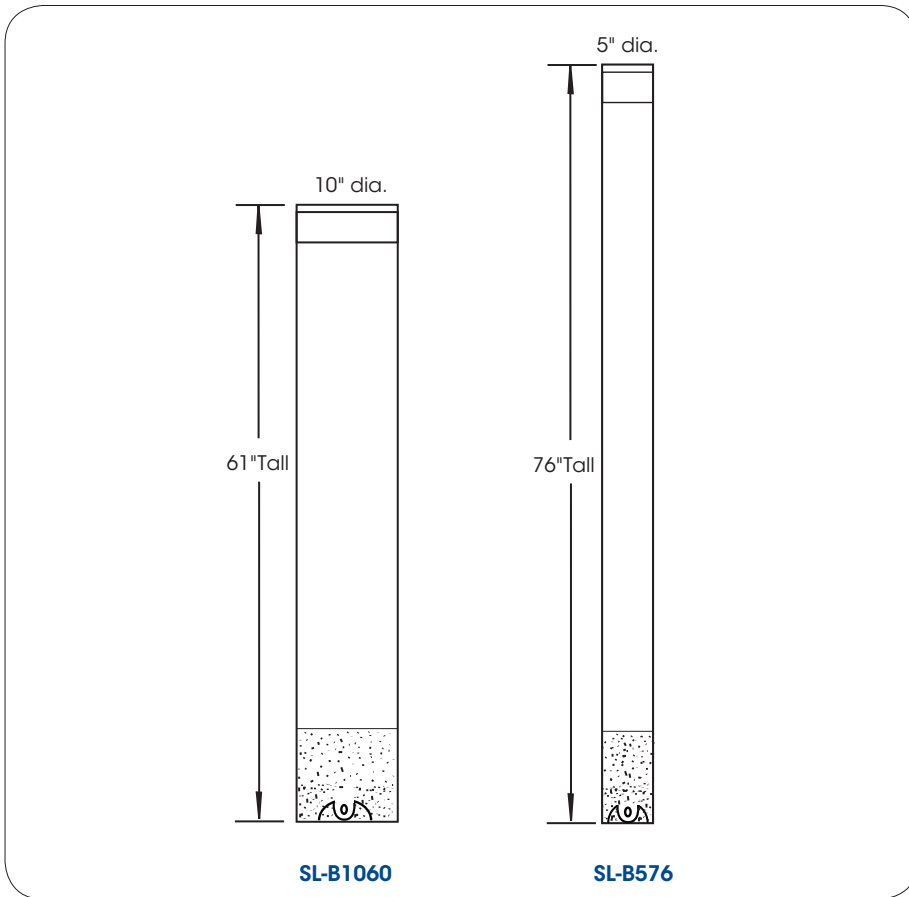
SL-B576 Model 5" Spar Buoy



SL-B1060 Model 10" Spar Buoy



Recessed anchor point means the buoy can stand upright when stored



SL-B1060

SL-B576

SPECIFICATIONS * *

SL-B1060

SL-B576

General Characteristics

Available Colours	Red, Green, White, Yellow as per IALA Recommendations
Focal Plane Height (mm/inches)	863 / 34
Nominal Freeboard (mm/inches)	863 / 34
Nominal Draft (mm/inches)	686 / 27
Reserve Buoyancy (kgs/lbs)	33 / 15
Maximum Mooring Load (kgs/lbs)	12 / 5
Submergence (kg/cm, lb/inches)	0.507 / 2.8
Visual Area (m ² /ft ²)	0.2 / 2.2

Physical Characteristics

Material	Rotationally-moulded UV-stabilised virgin polyethylene, 316-grade mooring eye
Wall Thickness (mm/inches)	9 / 3/8
Ballast (kg/lbs)	22.6 / 50 internal counter-weight
Filling	Closed-cell polyurethane foam
Height (mm/inches)	1549 / 61
Diameter (mm/inches)	254 / 10
Mass (kg/lbs)	29 / 65
Product Life Expectancy	Up to 12 years

Certifications

IALA

Intellectual Property

Trademarks

Warranty *

Lantern Options
Options Available

Available Colours	Black, Red, Green, White, Yellow as per IALA Recommendations
Focal Plane Height (mm/inches)	914 / 36
Nominal Freeboard (mm/inches)	914 / 36
Nominal Draft (mm/inches)	1016 / 40
Reserve Buoyancy (kgs/lbs)	9 / 4
Maximum Mooring Load (kgs/lbs)	5 / 2
Submergence (kg/cm, lb/inches)	0.127 / 0.7
Visual Area (m ² /ft ²)	0.11 / 1.2

Material	Rotationally-moulded UV-stabilised virgin polyethylene
Wall Thickness (mm/inches)	7 / 1/4
Ballast (kg/lbs)	6.8 / 15 internal counter-weight
Filling	Closed-cell polyurethane foam
Height (mm/inches)	1930 / 76
Diameter (mm/inches)	127 / 5
Mass (kg/lbs)	10.4 / 23
Product Life Expectancy	Up to 12 years

Surface colours compliant to IALA E-108

Surface colours compliant to IALA E-108

SEALITE® is a registered trademark of Sealite Pty Ltd
1 year

SEALITE® is a registered trademark of Sealite Pty Ltd
1 year

Sealite SL-15 or SL-60 lantern

- Custom signage
- Vinyl 'buoy wrap'
- Reflective band

- Custom signage
- Reflective band



* Specifications subject to change or variation without notice
* Subject to standard terms and conditions