

Blue Flag LED Rail Safety Light

SL-Rail-01B



Easy Carry One-piece Handle

Convenient ON/OFF Switch

Single Blue LED Optic

Internal User-replacement Battery

Magnetic Base



The Sealite Advantage

- Single blue LED optic
- High visibility
- Ultra low power consumption
- Robust with molded one-piece handle for easy handling
- Lightweight
- Autonomy of up to 8,000 hours (up to 2 years) on a single battery
- Magnetic base for strong, easy adherence into position
- Colored casing for easy identification of light output color
- IP67 Waterproof
- Meets FRA criteria for blue safety on signalling
- ANSI Z535.1 color compliant

Sealite's Blue Flag LED Rail Light is a reliable high intensity, low-powered blue flag signal light for railyards, built to withstand the toughest environments.

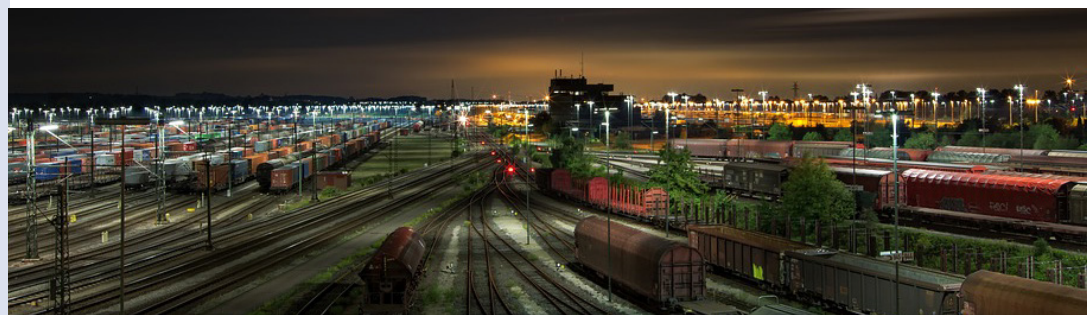
Designed to meet FRA Blue Light Code Regulations, Sealite's Blue Flag Rail Light is one of the most advanced in its class, with a single, solid blue LED Optic for consistent, superior color and light output.

Providing autonomy of 8,000 hours (up to 2 years) on a single 6-volt battery, the Sealite Rail Light is extraordinarily efficient and will stay illuminated three times longer than other blue flag safety lights.

The Rail Light handle and case are made from injection molded, UV-stabilized polycarbonate - offering enormous impact resistance and long operational life.

Sealite's Blue Flag LED Rail Light can be installed in minutes and requires no operator intervention. The magnetic base provides strong adherence position to the train, while offering flexible positioning options.

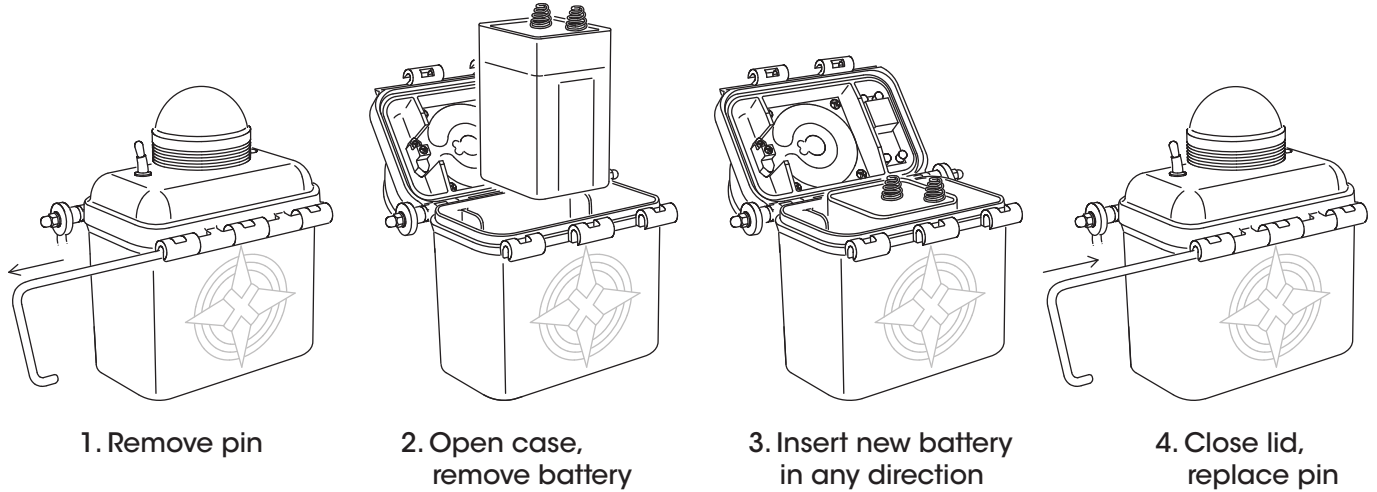
Providing a visible range of 1-2 miles, the Rail Light automatically turns on at night to emit a steady or flashing light and has a convenient ON/OFF switch for temporary installations and easy storage.



Blue Flag LED Rail Safety Light

SL-Rail-01B

Four easy steps to quickly and easily replace the battery



1. Remove pin

2. Open case, remove battery

3. Insert new battery in any direction

4. Close lid, replace pin

SPECIFICATIONS * * Blue Flag LED Rail Light SL-01B

Light Characteristics

Light Source 1 Watt ultra-high intensity blue LED with positive divergence
LED Life Expectancy (hours) >100,000
Visible Range (mi/km) 1-2 mi / 1-3 km
Autonomy (hours) 7000 (up to 2 years)

Electrical Characteristics

Voltage (V) 6
Temperature Range -40 to 80°C

Power Supply

Battery Type Air Alkaline
Battery Capacity (Ah) 45
Nominal Voltage (V) 6V

Physical Characteristics

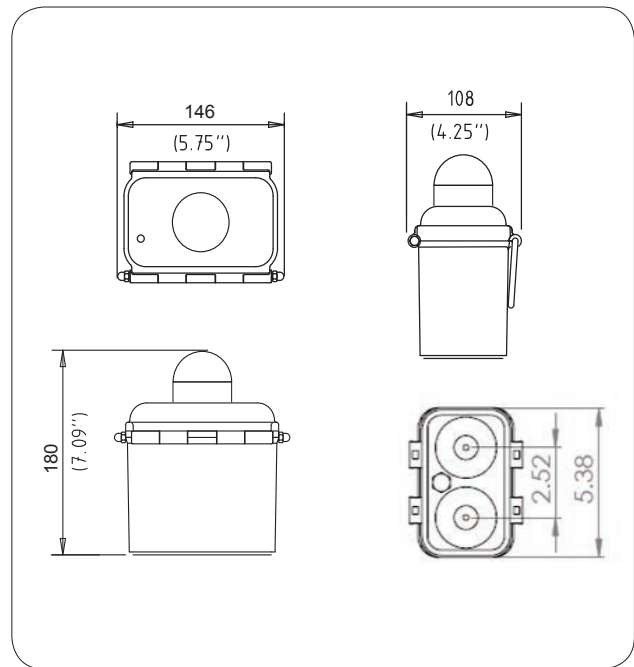
Battery Housing LEXAN® Polycarbonate - UV stabilized
Lens Material Acrylic
Lens Design Total Internal Refraction
Mounting 2 x magnets
Height (mm/inches) 180 / 7
Width (mm/inches) 146 / 5¾
Depth (mm/inches) 108 / 4¼
Mass (lbs/kg) 3½ / 1.5

Certifications

Quality Assurance ISO9001:2008
Waterproof IP67

Intellectual Property

Trademarks SEALITE® is a registered trademark of Sealite Pty Ltd
Warranty * 3 years



Sealite Pty Ltd
Australia
t: +61 (0)3 5977 6128

Sealite Asia Pte Ltd
Singapore
t: +65 6829 2243

Sealite United Kingdom Ltd
UK
t: +44 (0) 1502 588026

Sealite USA LLC
USA
t: +1 (603) 737 1311