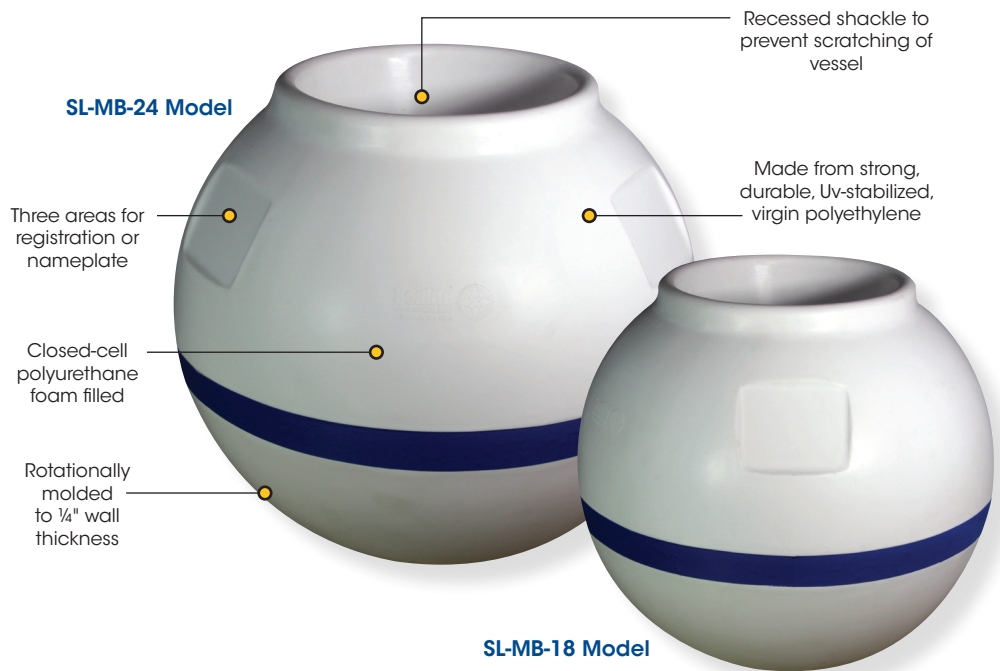


Mooring Buoys

SL-MB-18 & SL-MB-24



MADE IN THE USA



The Sealite Advantage

- Recessed shackle prevents scratching of vessel
- No painting ever
- Strong, polyethylene construction
- Clear identification with optional graphics
- Eco-friendly
- SL-MB-18: 18" diameter
- SL-MB-24: 24" diameter

The Sealite range of Mooring Buoys are designed to offer customers long life and are suitable for a range of locations. This buoy has a recessed top section which allows the connecting shackle to be protected from scratching the vessel.

The mooring buoy is available in 18" (457mm) and 24" (610mm) diameter. The mooring buoys are rotationally-molded from UV-stabilized virgin polyethylene and are foam filled with closed-cell polyurethane to prevent water ingress in the unlikely event of damage to the outer layer.

The buoys have a molded centre pipe with 2.6 inches (66mm) ID that will accept mooring chain of up to 3/8 inch (16mm) in diameter. The mooring tube is molded into the buoy in a tubular section that runs down the center of the buoy.

Sealite's Mooring Buoys are available in a range of colors for clear visibility, with an optional reflective band and name plates.



Environmentally
Friendly &
Recyclable

Sealite buoy products are made from recyclable materials. As a service to customers, individual components and products at the end of their service life may be returned to Sealite for recycling.



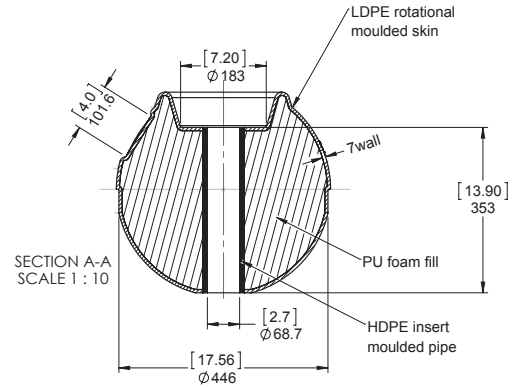
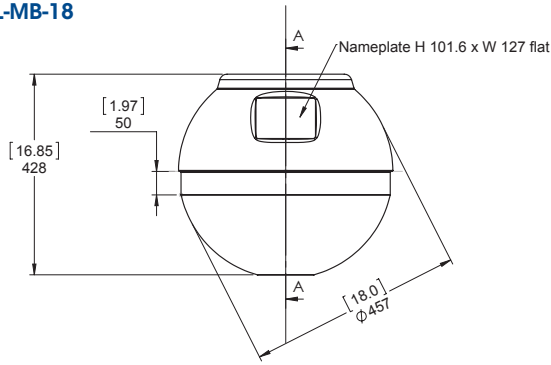
Mooring Buoys

SL-MB-18 & SL-MB-24

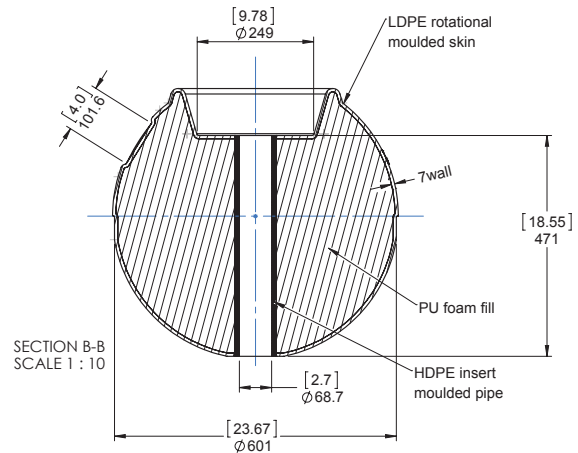
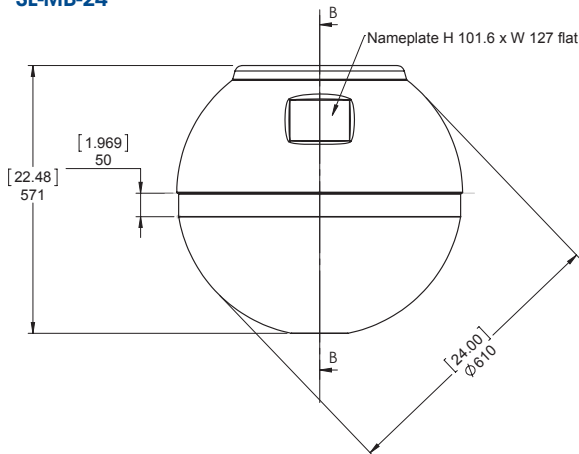


V2_2015

SL-MB-18



SL-MB-24



SPECIFICATIONS * *

SL-MB-18

SL-MB-24

General Characteristics

Available Colors

Total Float Volume (US gallon/ltrs)
Reserve Buoyancy (lbs/kgs)
Note: 50% submergence in salt water
Draft, Maximum (inches/mm)
Freeboard, Minimum (inches/mm)
Submergence (lb/inches, kg/cm)
Will accommodate chain size up to (inches/mm)

Physical Characteristics

Material

Wall Thickness (inches/mm)
Filling
Height (inches/mm)
Width (inches/mm)
Mass (lbs/kg)
Product Life Expectancy

Certifications

Quality Assurance

Intellectual Property

Trademarks

Warranty *

Options Available

Red, Green, White, Yellow as per IALA Recommendations
12¼ / 43.6
36 / 16.5
13⅞ / 353
3 / 75
9 / 1.6
3⅞ / 9.5

Rotationally-moulded UV-stabilized virgin polyethylene
¼ / 7
Closed-cell polyurethane foam
16⅞ / 428
17⅝ / 446
13 / 5.9
Up to 12 years

ISO9001:2008

SEALITE® is a registered trademark of Sealite Pty Ltd

- Graphics
- Reflective band
- Name plates

Red, Green, White, Yellow as per IALA Recommendations
28⅞ / 109.5
101 / 46
18½ / 471
4 / 100
16 / 2.9
5⅞ / 16

Rotationally-moulded UV-stabilized virgin polyethylene
¼ / 7
Closed-cell polyurethane foam
22½ / 571
23¾ / 601
23 / 10.4
Up to 12 years

ISO9001:2008

SEALITE® is a registered trademark of Sealite Pty Ltd

- Graphics
- Reflective band
- Name plates



* Specifications subject to change or variation without notice
* Subject to standard terms and conditions