

Mooring Buoys

SL-MB-18, SL-MB-24 & SL-MB-42

SL-MB-42 Model



SL-MB-18 Model

SL-MB-24 Model

The Sealite Advantage

- Recessed shackle prevents scratching of vessel
- No painting ever
- Strong, polyethylene construction
- Clear identification with optional graphics
- Eco-friendly
- SL-MB-18: 18" diameter
- SL-MB-24: 24" diameter
- SL-MB-42: 42" diameter

The Sealite range of Mooring Buoys are designed to offer customers long life and are suitable for a range of locations. This buoy has a recessed top section which allows the connecting shackle to be protected from scratching the vessel.

The mooring buoy is available in 18" (457mm), 24" (610mm) and 42" (1070mm) diameter. The mooring buoys are rotationally-molded from UV-stabilized virgin polyethylene and are foam filled with closed-cell polyurethane to prevent water ingress in the unlikely event of damage to the outer layer.

The buoys have a molded centre pipe with 2.6 inches (66mm) ID that will accept mooring chain of up to 3/8 inch (16mm) in diameter. The mooring tube is molded into the buoy in a tubular section that runs down the center of the buoy.

Sealite's Mooring Buoys are available in a range of colors for clear visibility, with an optional reflective band and name plates.



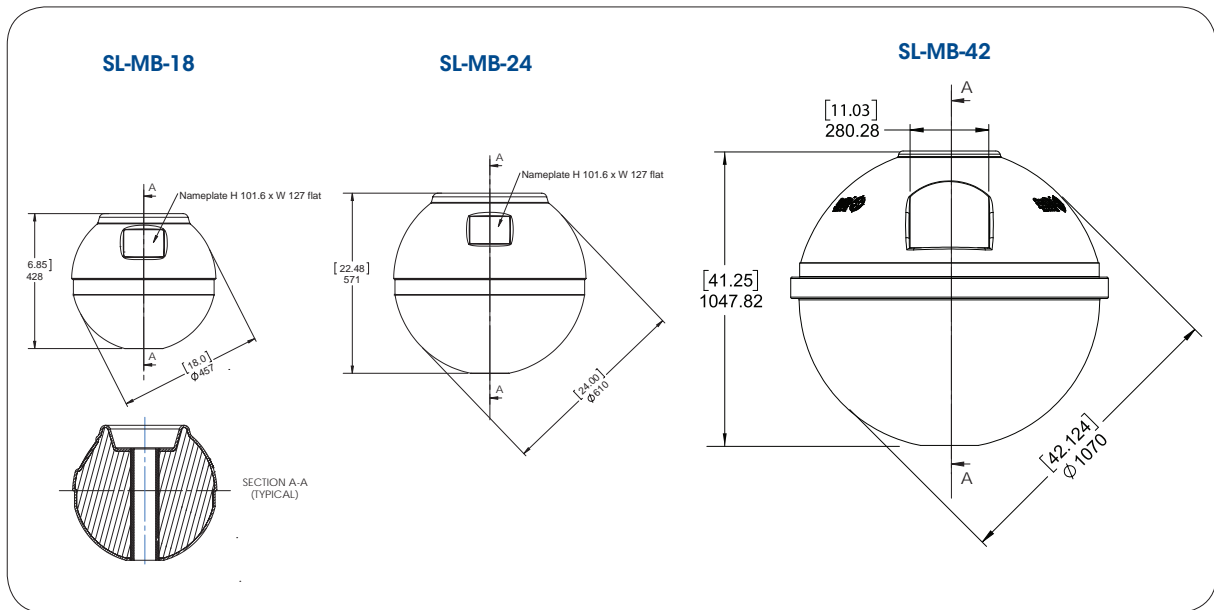
**Environmentally
Friendly &
Recyclable**

Sealite buoy products are made from recyclable materials. As a service to customers, individual components and products at the end of their service life may be returned to Sealite for recycling.



Mooring Buoys

SL-MB-18, SL-MB-24 & SL-MB-42



SPECIFICATIONS * *

General Characteristics

Available Colors

Total Float Volume (US gallon/ltrs)

Reserve Buoyancy (lbs/kgs)

Note: 50% submergence in salt water

Draft, Maximum (inches/mm)

Freeboard, Minimum (inches/mm)

Submergence (lb/inches, kg/cm)

Will accommodate chain size up to (inches/mm)

Physical Characteristics

Material

Wall Thickness (inches/mm)

Filling

Height (inches/mm)

Width (inches/mm)

Mass (lbs/kg)

Product Life Expectancy

Certifications

Quality Assurance

Intellectual Property

Trademarks

Warranty *

Options Available

SL-MB-18

Red, Green, White, Yellow as per IALA Recommendations

12 $\frac{1}{4}$ / 43.6

36 / 16.5

13 $\frac{7}{8}$ / 353

3 / 75

9 / 1.6

3 $\frac{3}{8}$ / 9.5

Rotationally-moulded UV-stabilized virgin polyethylene
1/4 / 7

Closed-cell polyurethane foam

16 $\frac{7}{8}$ / 428

17 $\frac{5}{8}$ / 446

13 / 5.9

Up to 12 years

ISO9001:2008

SEALITE® is a registered trademark of Sealite Pty Ltd
1 year

- Graphics
- Reflective band
- Name plates

SL-MB-24

Red, Green, White, Yellow as per IALA Recommendations

28 $\frac{7}{8}$ / 109.5

101 / 46

18 $\frac{1}{2}$ / 471

4 / 100

16 / 2.9

5 $\frac{1}{8}$ / 16

Rotationally-moulded UV-stabilized virgin polyethylene
1/4 / 7

Closed-cell polyurethane foam

22 $\frac{1}{2}$ / 571

23 $\frac{3}{4}$ / 601

23 / 10.4

Up to 12 years

ISO9001:2008

SEALITE® is a registered trademark of Sealite Pty Ltd
1 year

- Graphics
- Reflective band
- Name plates

SL-MB-42

Red, Green, White, Yellow as per IALA Recommendations

169 $\frac{1}{3}$ / 641

614 / 278.5

33 $\frac{3}{4}$ / 845

8 / 204

49 / 22

5 $\frac{1}{8}$ / 16

Rotationally-moulded UV-stabilized virgin polyethylene
1/4 / 7

Closed-cell polyurethane foam

41 $\frac{1}{4}$ / 1048

44 $\frac{1}{2}$ / 1130

106 / 48

Up to 12 years

ISO9001:2008

SEALITE® is a registered trademark of Sealite Pty Ltd
1 year

- Graphics
- Reflective band
- Name plates



* Specifications subject to change or variation without notice
* Subject to standard terms and conditions

Sealite
www.sealite.com



Sealite Pty Ltd
Australia
t: +61 (0)3 5977 6128

Sealite Asia Pte Ltd
Singapore
t: +65 6829 2243

Sealite United Kingdom Ltd
UK
t: +44 (0) 1502 588026

Sealite USA LLC
USA
t: +1 (603) 737 1311