

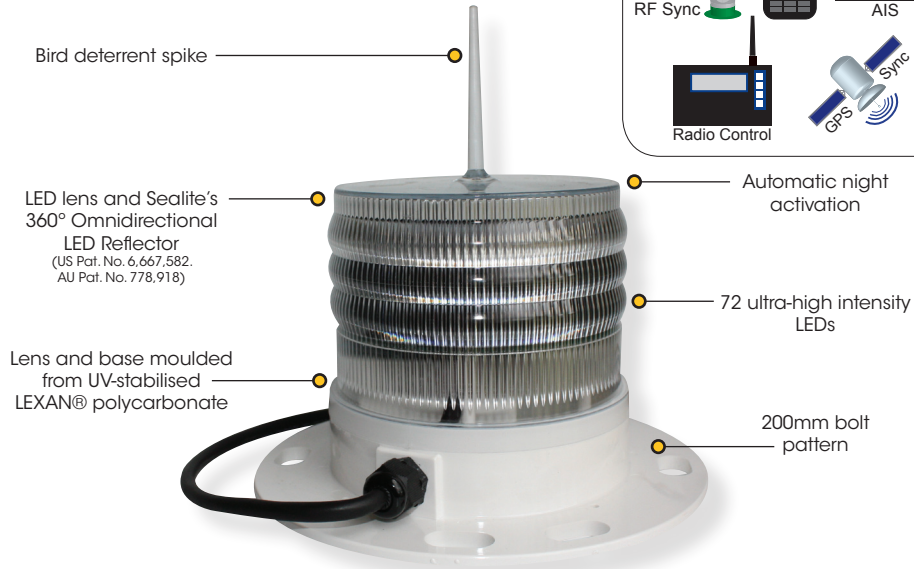
SL-CGA125-2-W

Class 'A' Lantern

The SL-CGA125-2-W is a United States Coast Guard approved Class 'A' structure lantern specifically designed to meet the needs of Class 'A' structures in the Gulf of Mexico.

The lantern utilises 72 LEDs as a light source, enhanced by Sealite's LED lens and omnidirectional LED reflector (US Pat. No. 6,667,582. AU Pat. No. 778,918) to gain optimum LED performance.

The SL-CGA125-2-W is one of the most advanced LED marine lanterns on the market. Utilising the latest software and micro circuitry developments, the lantern boasts a huge number of features including flash-memory and the most efficient power conversion available.



This lantern is available in a hard-wired, RF or GPS Synchronised versions for multiple lantern installations

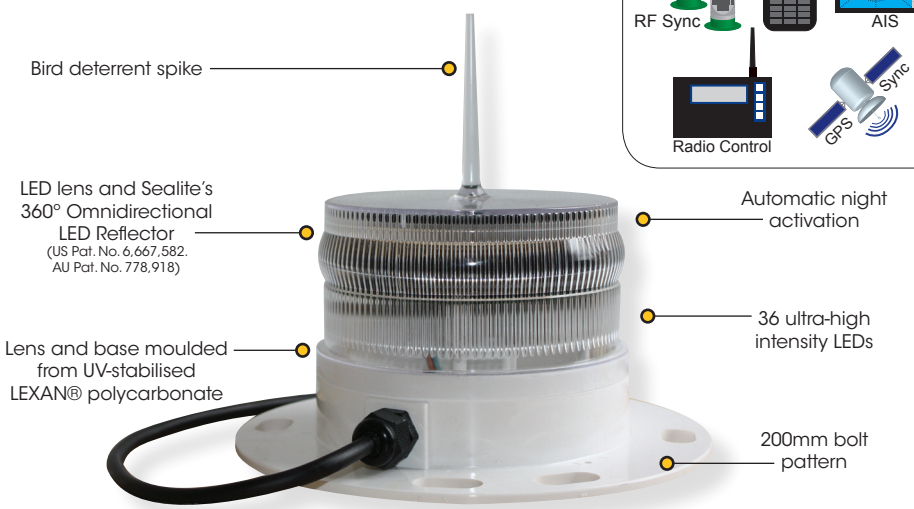
The Sealite Advantage

- U.S. Coast Guard Approved
- Low maintenance (LED technology)
- Easy retrofit on existing structures
- Available with proprietary flash 'synchronisation' software
- IP68 waterproof

The SL-CGB125-W is a United States Coast Guard approved Class 'B' structure lantern specifically designed to meet the needs of Class 'B' structures.

The SL-CGB125-W boasts a huge number of features including flash-memory and the most efficient power conversion available. The light utilises 36 LEDs as a light source, enhanced by Sealite's LED lens and omnidirectional LED reflector (US Pat. No. 6,667,582. AU Pat. No. 778,918) to gain optimum LED performance.

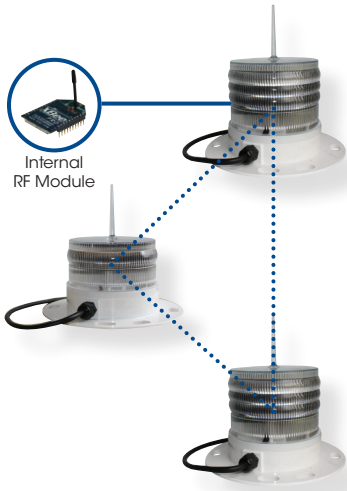
The unit is supplied with a 1mtr pigtail for 12V power input, and is ideal to fit on existing structures or can be supplied as a complete unit with external solar modules and battery compartment.



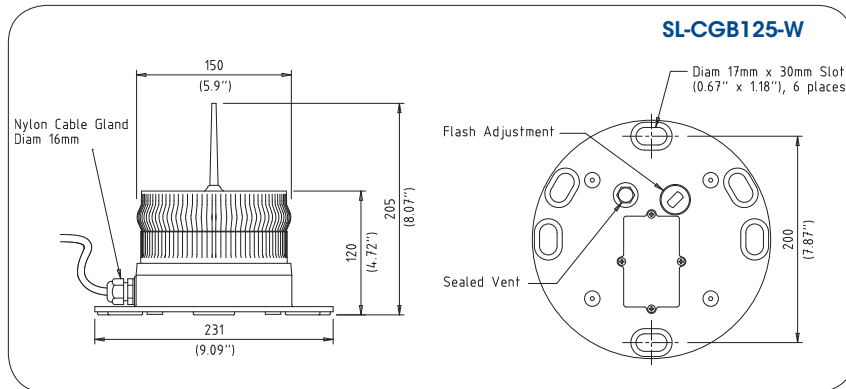
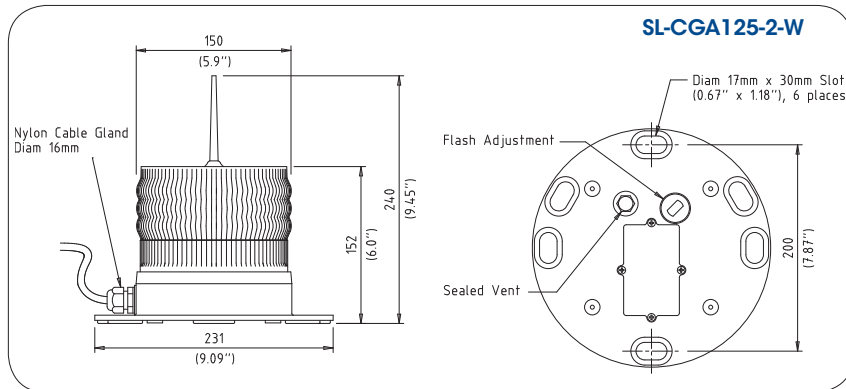
This lantern is available in a hard-wired, RF or GPS Synchronised versions for multiple lantern installations

SL-CGA125-2-W / SL-CGB125-W

Class 'A' and 'B' Lanterns



RF Synchronised Class 'A' & 'B' Lanterns



SPECIFICATIONS* *	SL-CGA125-2-W	SL-CGB125-W
USCG Approval	Class A	Class B
Light Characteristics		
Light Source	72 ultra-high intensity LEDs	36 ultra-high intensity LEDs
Available Colours	White	White
Effective Intensity (cd)	148 Candela (@ QF 0.3sec ON)	79 Candela (@ QF 0.3sec ON)
Visible Range (NM)	>5	>3
Horizontal Output (degrees)	360	360
Vertical Divergence (degrees)	9	9
Reflector Type	Omnidirectional 360° LED Reflector (US Pat. No. 6,667,582. AU Pat. No. 778,918)	Omnidirectional 360° LED Reflector (US Pat. No. 6,667,582. AU Pat. No. 778,918)
Available Flash Characteristics	Up to 256 IALA recommended (user adjustable)	Up to 256 IALA recommended (user adjustable)
Intensity Adjustments	Adjustable in 25% increments	Adjustable in 25% increments
LED Life Expectancy (hours)	>100,000	>100,000
Synchronisation	Optional via hard-wire, RF or GPS	Optional via hard-wire, RF or GPS
Electrical Characteristics		
Current Draw (mA)	640	320
Circuit Protection	Integrated	Integrated
Nominal Voltage (V)	12	12
Temperature Range	-40 to 80°C	-40 to 80°C
Physical Characteristics		
Body Material	LEXAN® Polycarbonate – UV-stabilised	LEXAN® Polycarbonate – UV-stabilised
Lens Material	LEXAN® Polycarbonate – UV-stabilised	LEXAN® Polycarbonate – UV-stabilised
Lens Diameter (mm/inches)	150 / 5 7/8	150 / 5 7/8
Lens Design	External optics with interior flute design	External optics with interior flute design
Mounting	200mm bolt pattern	200mm bolt pattern
Height (mm/inches)	240 / 9 1/2	205 / 8 1/8
Width (mm/inches)	231 / 9 1/8	231 / 9 1/8
Mass (kg/lbs)	1.2 / 2 1/2	1.1 / 2 1/2
Product Life Expectancy	Up to 12 years	Up to 12 years
Certifications		
CE	EN61000-6-3:2001. EN61000-6-1:2001. EN55022. EN61000-4-2:1995. EN61000-4-3:2002. ISO9001:2008 IP68	EN61000-6-3:2001. EN61000-6-1:2001. EN55022. EN61000-4-2:1995. EN61000-4-3:2002. ISO9001:2008 IP68
Quality Assurance		
Waterproof		
Intellectual Property		
Patents	US Pat. No. 6,667,582. AU Pat. No. 778,918	US Pat. No. 6,667,582. AU Pat. No. 778,918
Trademarks	SEALITE® is a registered trademark of Sealite Pty Ltd	SEALITE® is a registered trademark of Sealite Pty Ltd
Warranty *	3 years	3 years
Options Available	<ul style="list-style-type: none"> • Additional cable • Hard-wire Synchronisation • AIS Remote Monitoring • GSM Monitoring & Control System • GPS Synchronisation • RF Synchronisation • Radio Control System 	<ul style="list-style-type: none"> • Additional cable • Hard-wire Synchronisation • AIS Remote Monitoring • GSM Monitoring & Control System • GPS Synchronisation • RF Synchronisation • Radio Control System

* Specifications subject to change or variation without notice
* Subject to standard terms and conditions

