

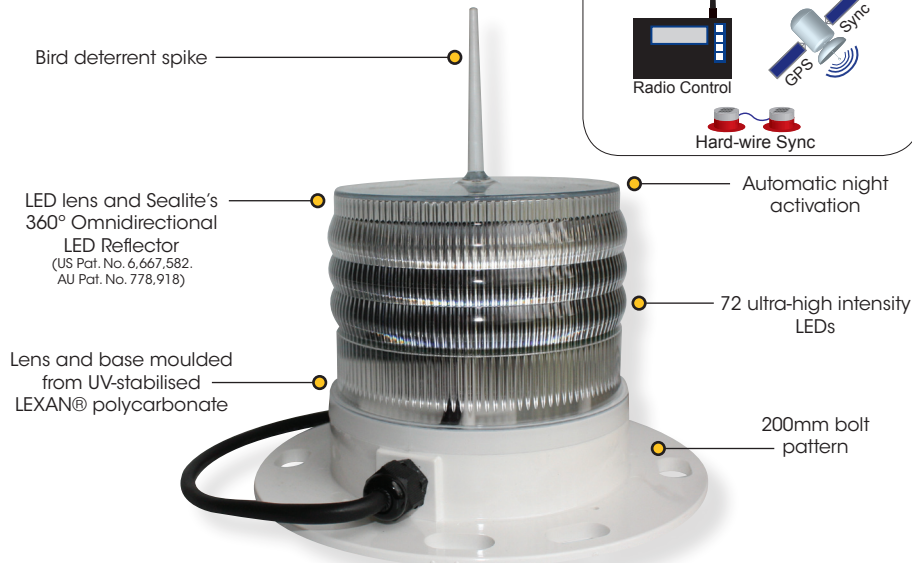
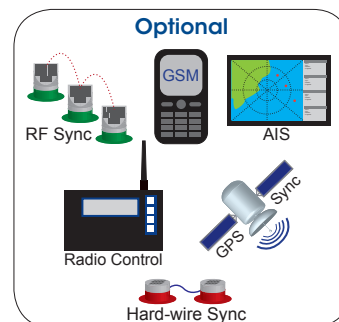
# Class 'A' Lantern

SL-CGA125-2-W

The SL-CGA125-2-W is a United States Coast Guard approved Class 'A' structure lantern specifically designed to meet the needs of Class 'A' structures in the Gulf of Mexico.

The lantern utilises 72 LEDs as a light source, enhanced by Sealite's LED lens and omnidirectional LED reflector (US Pat. No. 6,667,582. AU Pat. No. 778,918) to gain optimum LED performance.

The SL-CGA125-2-W is one of the most advanced LED marine lanterns on the market. Utilising the latest software and micro circuitry developments, the lantern boasts a huge number of features including flash-memory and the most efficient power conversion available.



This lantern is available in a hard-wired, RF or GPS Synchronised versions for multiple lantern installations

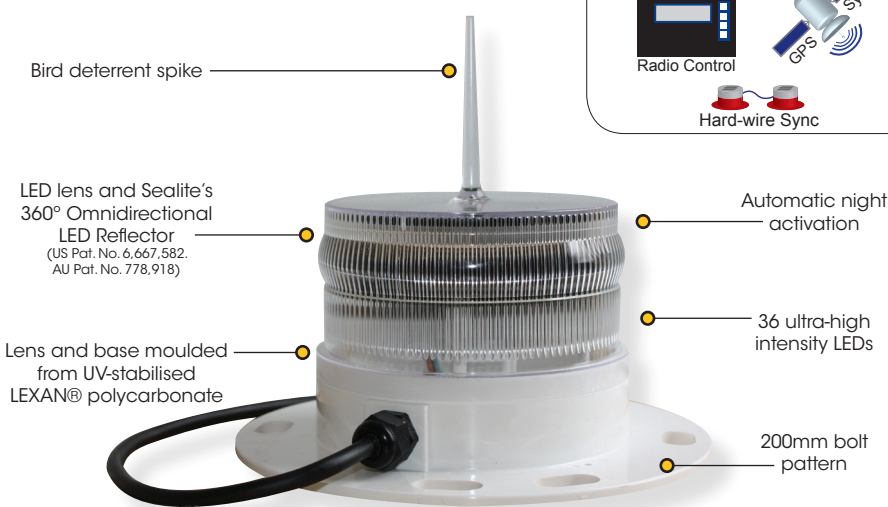
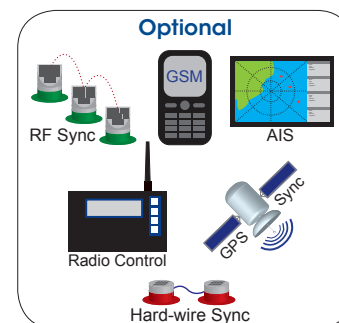
## The Sealite Advantage

- U.S. Coast Guard Approved
- Low maintenance (LED technology)
- Easy retrofit on existing structures
- Available with proprietary flash 'synchronisation' software
- IP68 waterproof

The SL-CGB125-1-W is a United States Coast Guard approved Class 'B' structure lantern specifically designed to meet the needs of Class 'B' structures.

The SL-CGB125-1-W boasts a huge number of features including flash-memory and the most efficient power conversion available. The light utilises 36 LEDs as a light source, enhanced by Sealite's LED lens and omnidirectional LED reflector (US Pat. No. 6,667,582. AU Pat. No. 778,918) to gain optimum LED performance.

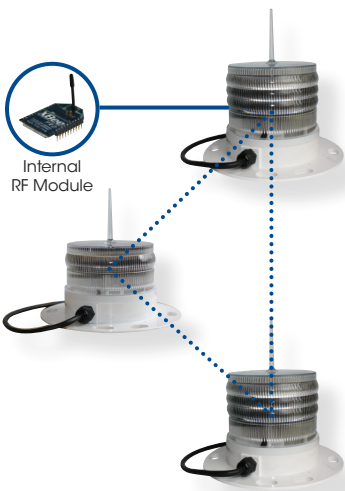
The unit is supplied with a 1mtr pigtail for 12V power input, and is ideal to fit on existing structures or can be supplied as a complete unit with external solar modules and battery compartment.



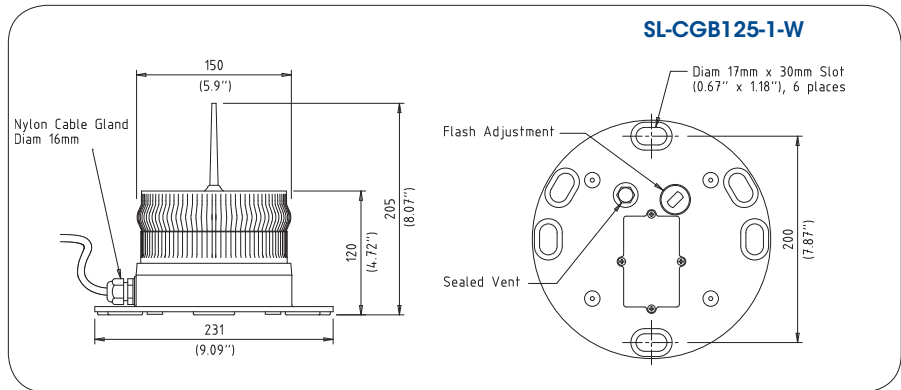
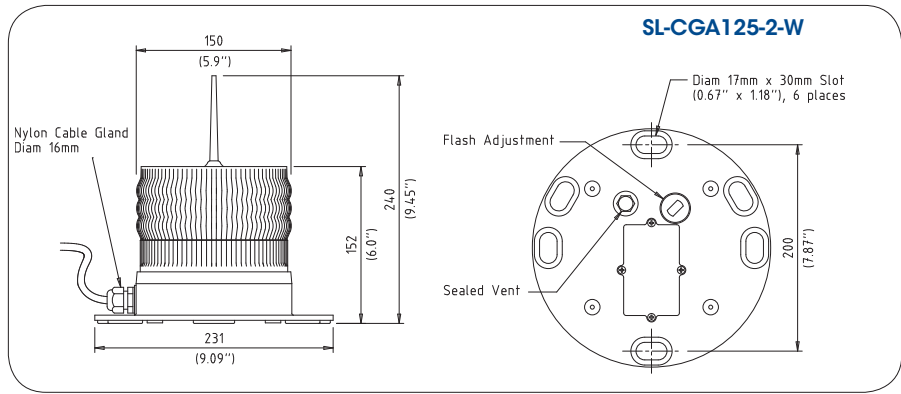
This lantern is available in a hard-wired, RF or GPS Synchronised versions for multiple lantern installations

# Class 'A' & 'B' Lanterns

SL-CGA125-2-W / SL-CGB125-1-W



RF Synchronised  
Class 'A' & 'B' Lanterns



SPECIFICATIONS* *	SL-CGA125-2-W	SL-CGB125-1-W
<b>USCG Approval</b>	<b>Class A</b>	<b>Class B</b>
<b>Light Characteristics</b>	72 ultra-high intensity LEDs White 148 Candela (@ QF 0.3sec ON) AT @ 0.74: >5 AT @ 0.85: >6.3 360 9 Omnidirectional 360° LED Reflector (US Pat. No. 6,667,582. AU Pat. No. 778,918) Up to 256 IALA recommended (user adjustable) Adjustable in 25% increments >100,000 Optional via hard-wire, RF or GPS	36 ultra-high intensity LEDs White 79 Candela (@ QF 0.3sec ON) AT @ 0.74: >3 AT @ 0.85: >3.5 360 9 Omnidirectional 360° LED Reflector (US Pat. No. 6,667,582. AU Pat. No. 778,918) Up to 256 IALA recommended (user adjustable) Adjustable in 25% increments >100,000 Optional via hard-wire, RF or GPS
<b>Electrical Characteristics</b>	640 Integrated 12 -40 to 80°C	320 Integrated 12 -40 to 80°C
<b>Physical Characteristics</b>	LEXAN® Polycarbonate – UV-stabilised LEXAN® Polycarbonate – UV-stabilised 150 / 5 <sup>7</sup> / <sub>8</sub> External optics with interior flute design 200mm bolt pattern 240 / 9 <sup>1</sup> / <sub>2</sub> 231 / 9 <sup>1</sup> / <sub>8</sub> 1.2 / 2 <sup>1</sup> / <sub>2</sub> Up to 12 years	LEXAN® Polycarbonate – UV-stabilised LEXAN® Polycarbonate – UV-stabilised 150 / 5 <sup>7</sup> / <sub>8</sub> External optics with interior flute design 200mm bolt pattern 205 / 8 <sup>1</sup> / <sub>8</sub> 231 / 9 <sup>1</sup> / <sub>8</sub> 1.1 / 2 <sup>1</sup> / <sub>2</sub> Up to 12 years
<b>Certifications</b>	EN61000-6-3:2001. EN61000-6-1:2001. EN55022. EN61000-4-2:1995. EN61000-4-3:2002. Signal colours compliant to IALA E-200-1 ISO9001:2008 IP68	EN61000-6-3:2001. EN61000-6-1:2001. EN55022. EN61000-4-2:1995. EN61000-4-3:2002. Signal colours compliant to IALA E-200-1 ISO9001:2008 IP68
<b>Intellectual Property</b>	US Pat. No. 6,667,582. AU Pat. No. 778,918 SEALITE® is a registered trademark of Sealite Pty Ltd 3 years	US Pat. No. 6,667,582. AU Pat. No. 778,918 SEALITE® is a registered trademark of Sealite Pty Ltd 3 years
<b>Warranty *</b>	• Additional cable • Hard-wire Synchronisation • AIS Remote Monitoring • GSM Monitoring & Control System • GPS Synchronisation • RF Synchronisation • Radio Control System	• Additional cable • Hard-wire Synchronisation • AIS Remote Monitoring • GSM Monitoring & Control System • GPS Synchronisation • RF Synchronisation • Radio Control System
<b>Options Available</b>		

\* Specifications subject to change or variation without notice  
\* Subject to standard terms and conditions

