

Barrier Floats

SL-BF Series

Sealite have a range of accessories available including cable and mooring equipment - ask your representative today how we can supply your complete mooring solution



The Sealite Advantage

- Strong polyethylene construction
- Rotationally moulded
- High visibility orange, red, green, white, yellow
- Easy to install
- Optional accessories including cable & mooring equipment
- ID labels & graphics available
- Typical applications: dam barriers, security zones, swim lines
- SL-BF-1830: 18" diameter
- SL-BF-2436: 24" diameter

Sealite's barrier floats can be linked together to restrict boating traffic and swimmers from entering specific danger areas such as spillways and dams. They are manufactured using strong, UV-stabilised polyethylene and are available in a range of high visibility colours.

Sealite's barrier floats are available in 18" (457mm) and 24" (610mm) diameter. The barrier floats are rotationally moulded as a single piece with a wall thickness up to 5mm — increasing strength and ensuring a robust and functional product. The floats are polyurethane foam filled making them virtually unsinkable.

The barrier floats come ready for deployment and Sealite also has a range of accessories available including cable and mooring equipment.

To service the 'urgent need' requirements of our customers, Sealite keeps stock available ready for immediate shipment.



Environmentally Friendly & Recyclable

Sealite buoy products are made from recyclable materials. As a service to customers, individual components and products at the end of their service life may be returned to Sealite for recycling.

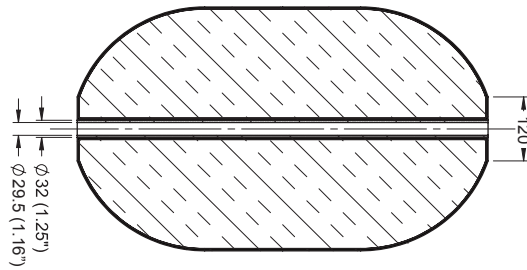
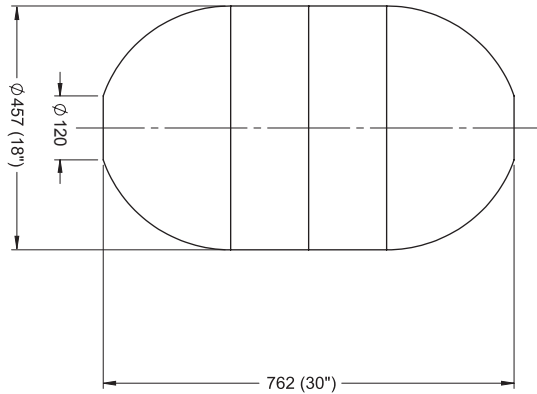


Barrier Floats

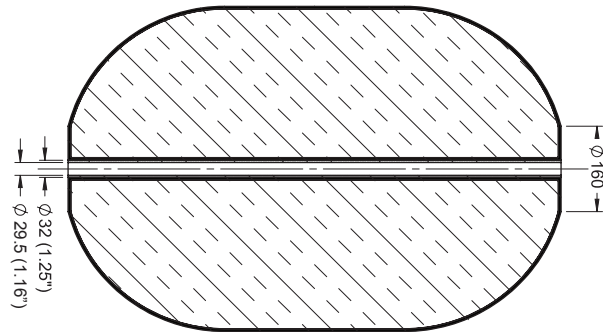
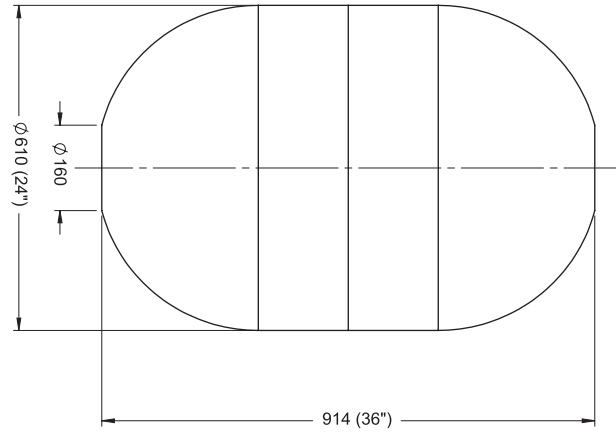
SL-BF Series



SL-BF-1830 Model



SL-BF-2436 Model



SPECIFICATIONS • *	SL-BF-1830	SL-BF-2436
General Characteristics		
Available Colours	Orange, Red, Green, White, Yellow	Orange, Red, Green, White, Yellow
Total Float Volume (ft ³ /US gallon)	100 / 26.4	214.1 / 56.6
Total Reserve Buoyancy (kg/lbs)	78.8 / 174	167.9 / 370
Physical Characteristics		
Material	Rotationally-moulded UV-stabilised virgin polyethylene	Rotationally-moulded UV-stabilised virgin polyethylene
Wall Thickness (mm/inches)	4 / 0.16	5 / 0.2
Filling	Closed-cell polyurethane foam	Closed-cell polyurethane foam
Length (mm/inches)	762 / 30	914 / 36
Diameter (mm/inches)	457 / 18	610 / 24
Mass (kg/lbs)	9.5 / 21	17.7 / 39
Warranty *	1 year	1 year

* Specifications subject to change or variation without notice
* Subject to standard terms and conditions