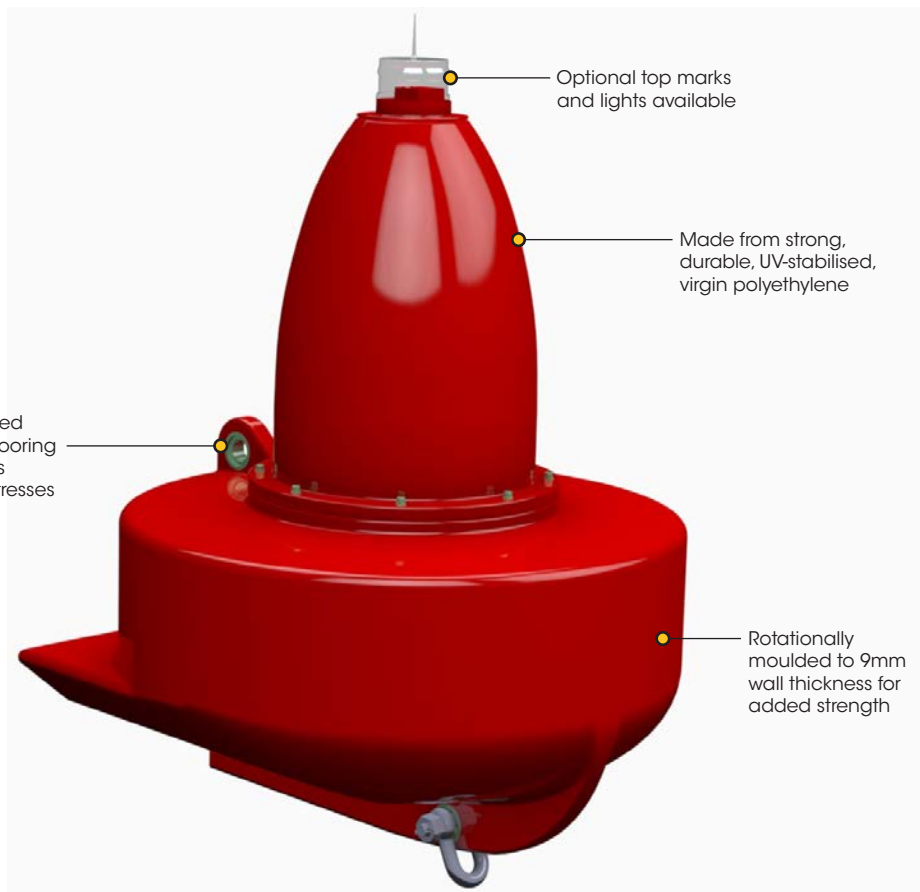


# 1200mm dia. Navigation Buoy

SL-B1200-FW - suited to fast water



Sealite have a range of mooring chains & accessories  
Ask your representative today how we can supply your complete mooring solution

## The Sealite Advantage

- Single piece float with a 316-grade stainless steel tie-bar integrated to provide outstanding strength
- Unique boat hull design suitable for fast flowing water currents up to 8 knots
- 1200mm diameter shape for excellent visibility and stability
- Complete unit - ready for immediate installation
- High visibility red, green, white or yellow as per IALA recommendations
- Rotationally moulded to 9mm wall thickness for added strength
- Excellent buoyancy



Environmentally Friendly & Recyclable

Sealite buoy products are made from recyclable materials. As a service to customers, individual components and products at the end of their service life may be returned to Sealite for recycling.

## The Sealite SL-B1200-FW is a large 1200mm dia. navigation buoy designed for rivers, ports and harbours and estuaries with fast flowing water current of up to 8 knots

Designed using a traditional navigation buoy shape above the water line and incorporating the shape of a boat hull on the bottom, the SL-B1200-FW remains extremely stable and buoyant in fast and rough conditions. Its unique design incorporating an integrated bow and keel, allows the SL-B1200-FW to create lift as the water flows underneath it, enabling the buoy to rise and sit higher on the surface of the water creating more stability and allowing it to support a heavier payload.

The single piece float section has an integrated 316-stainless steel tie-bar to provide exceptional strength and safe working load for lifting (one lifting eye) of 2300kgs.

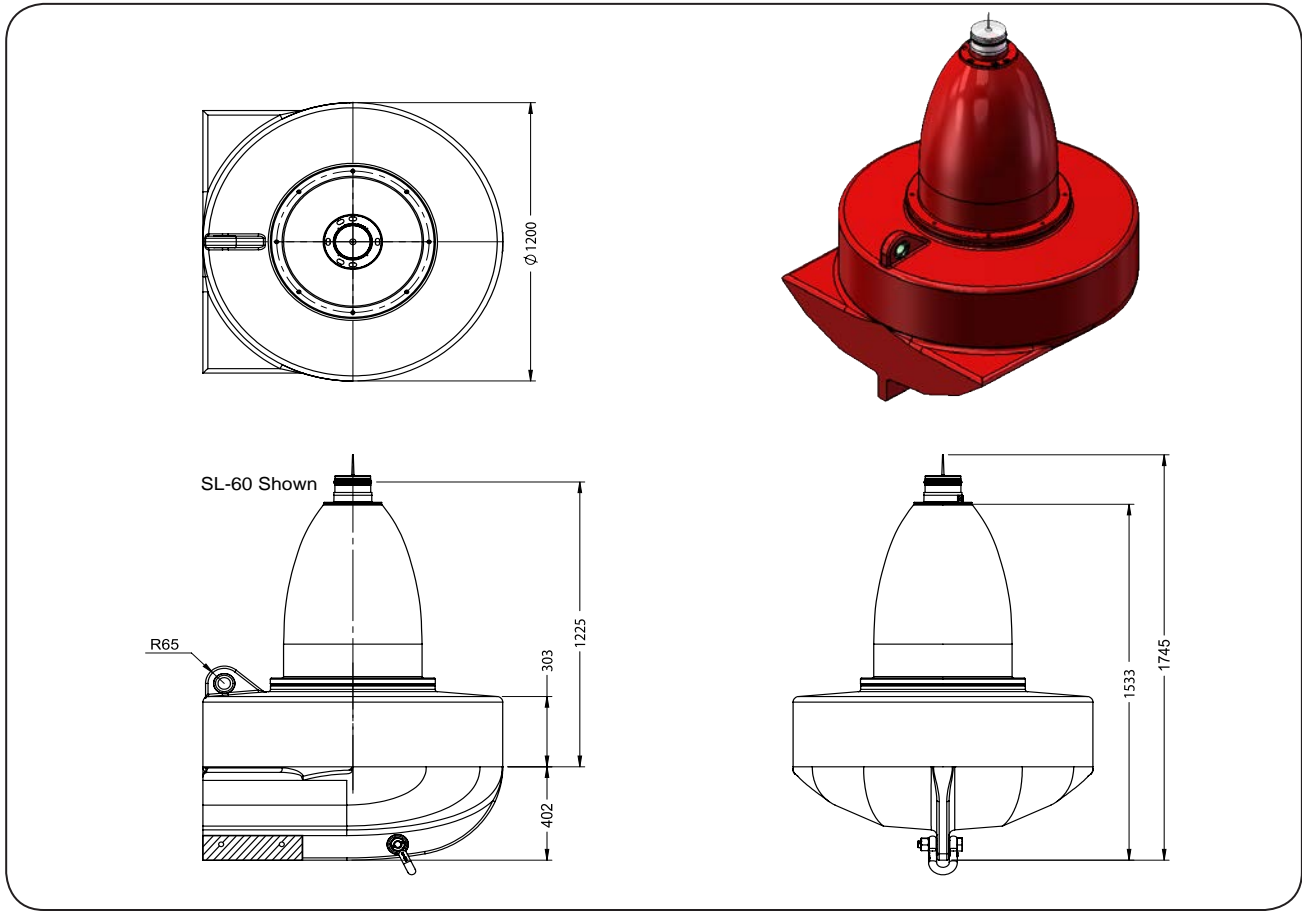
The 1200mm buoy is rotationally moulded from UV-stabilised, virgin polyethylene to 9mm wall thickness to provide additional strength.

The fast water buoy comes in a range of IALA recommended configurations and colours for excellent visibility and is developed to support a variety of marine lanterns.



# 1200mm dia. Navigation Buoy

SL-B1200-FW - suited to fast water



## SPECIFICATIONS • \* SL-B1200-FW

### General Characteristics

Available Colours  
Focal Plane Height (mm/inches)  
Total Float Volume (ltrs/US gallon)  
Reserve Buoyancy (kgs/lbs)  
Maximum Mooring Load (kgs/lbs)  
Draft, Maximum (mm/inches)  
Freeboard, Minimum (mm/inches)  
Safe Working Load, 1pt (kg/lbs)

Red, Green, White, Yellow as per IALA Recommendations  
1225 / 48  
615 / 162.5  
78 / 172  
78 / 172  
402 / 15<sup>53/64</sup>  
300 / 11.8  
2300 / 5070

### Physical Characteristics

Material  
Wall Thickness (mm/inches)  
Ballast (kg/lbs)  
Filling  
Height (mm/inches)  
Width (mm/inches)  
Mass (kg/lbs)  
Product Life Expectancy

Rotationally-moulded UV-stabilised virgin polyethylene  
9 / <sup>3</sup>/<sub>8</sub>  
55 / 121.3 (Internal)  
Closed-cell polyurethane foam (float section)  
1745 / 68  
1200 / 47<sup>1</sup>/<sub>4</sub>  
142 / 313  
Up to 12 years

### Certifications

IALA  
Quality Assurance

Surface colours compliant to IALA E-108  
ISO9001:2008

### Intellectual Property

Trademarks

SEALITE® is a registered trademark of Sealite Pty Ltd  
5 year

### Warranty \*

### Lantern Options Options Available

Sealite SL-15, SL-60, SL-70, SL-75 lantern\*

• Mould-in graphics

\* NOTE Additional Lanterns and lifting points can be specified upon request

• Specifications subject to change or variation without notice  
\* Subject to standard terms and conditions



**Sealite**  
www.sealite.com



Sealite Pty Ltd  
Australia  
t: +61 (0)3 5977 6128

Sealite Asia Pte Ltd  
Singapore  
t: +65 6829 2243

Sealite United Kingdom Ltd  
UK  
t: +44 (0) 1502 588026

Sealite USA LLC  
USA  
t: +1 (603) 737 1311