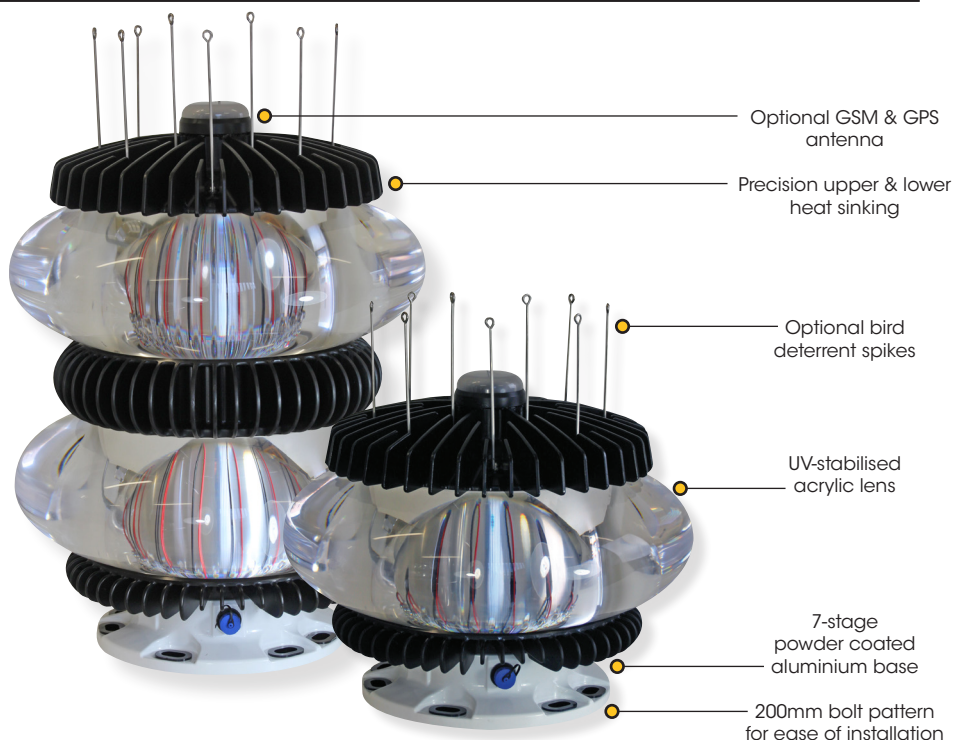


13-21NM Long Range Lanterns

SL-300 Series — SL-300-1D5-1 & SL-300-1D5-2



The Sealite Advantage

- Over 90,000cd luminous intensity white - single tier
- Over 180,000cd luminous intensity white - two tier
- Compact lantern up to 21NM visible range
- PC or IR Programmer for setup, diagnostic & testing
- Internal or external photocell options
- User configurable day/night lux levels
- Advanced remote monitoring features
- Wide operating voltage range 20-58VDC
- Internal data-logging for long term retention of key operational parameters & alarm conditions
- General purpose inputs (two) & outputs (two)

The SL-300-1D5 series are 13 to 21NM long range marine lanterns with 1.5 degree vertical distribution, suitable for a range of day and night applications.

High Intensity, Small Form Factor

The SL-300-1D5 series offers multiple intensity adjustments to over 90,000cd luminous intensity in a single tier (over 180,000cd in a 2-tier configuration). The small form factor provides minimal wind loading and convenient handling - delivering significant advantages over traditional larger lens stack assemblies.

High Efficiency

The long range lanterns produce a class-leading intensity to power ratio, making them highly efficient and suitable for solar power solutions.

Advanced PC or IR Programming

Sealite's convenient PC Configuration Tool or IR programmer allows a host of features to be user set including;

- Multiple intensity settings
- 310 flash settings including custom character
- Automatic effective intensity adjustment
- Adjustable on/off lux levels
- Low battery threshold
- GPS synchronisation offset
- Alarm conditions

Optional GPS Synchronisation

For flash synchronisation of lanterns a GPS module may be fitted.

Optional GSM Monitoring & Control

The SL-300-2D5-1 lantern may be fitted with a GSM module for monitoring and control - enabling users to access real-time diagnostic data and change lantern settings via cell-phone.

Optional Type 1 or Type 3 AIS

The SL-300-1D5 lantern is available with class-leading integrated, low-powered Type 1 or Type 3 AIS. When fitted, the AIS is encapsulated within the body of the lantern to maintain the weatherproof integrity.



Precision upper heat sink



Shown with optional GPS antenna

13-21NM Long Range Lanterns

SL-300 Series — SL-300-1D5-1 & SL-300-1D5-2

SPECIFICATIONS* *

1.5° Single Tier Model

1.5° Two Tier Model

SL-300-1D5-1

SL-300-1D5-2

Light Characteristics

Light Source
Available Colours
Maximum Luminous Intensity (cd)†

High efficiency LEDs
White. Other colours available on request
White - 94,400

High efficiency LEDs
White. Other colours available on request
White - 188,800

Visible Range (NM)

AT @ 0.74: 13-19
AT @ 0.85: 19.2-29.6

AT @ 0.74: 19-21
AT @ 0.85: 29.6-33

Horizontal Output (degrees)
Vertical Divergence (degrees)

0° - 360°
>1.5

0° - 360°
>1.5

Available Flash Characteristics

Up to 310 including 256 IALA recommended, & 1 custom

Up to 310 including 256 IALA recommended, & 1 custom

Intensity Adjustments

User adjustable

User adjustable

LED Life Expectancy (hours)

>100,000

>100,000

Electrical Characteristics

Average Power (W)
Circuit Protection
Nominal Voltage (VDC)
Temperature Range

Variable up to 132W
Polarity protected
24-48
-40 to 60°C

Variable up to 264W
Polarity protected
24-48
-40 to 60°C

Physical Characteristics

Body Material
Lens Material
Lens Diameter (mm/inches)
Lens Design
Mounting
Height (mm/inches)
Width (mm/inches)
Mass (kg/lbs)
Product Life Expectancy

7-stage powder-coated aluminium
UV-stabilised acrylic
373 / 14¾
Multiple LED optic
3 & 4 hole 200mm bolt pattern
302 / 12
373 / 14¾
18.5 / 40¾
Up to 12 years

7-stage powder-coated aluminium
UV-stabilised acrylic
373 / 14¾
Multiple LED optic
3 & 4 hole 200mm bolt pattern
496 / 19½
373 / 14¾
38.5 / 85
Up to 12 years

Environmental Standards

Wind Exposure
Humidity
Driving Rain
Waterproof

Rated to withstand 140knots
0 - 100%, condensing
at 45° from vertical
IP68

Rated to withstand 140knots
0 - 100%, condensing
at 45° from vertical
IP68

Certifications

Immunity
Emission
FCC Part 15 Rules
IALA
Quality Assurance

EN 61000-6-1:2007 (IEC61000-6-1:2005).
EN 61000-6-4:2007 (IEC 61000-6-4:2006) + A1:2001.
FCC Part 15 Subpart B.
Signal colours compliant to IALA E-200-1
ISO9001:2008

EN 61000-6-1:2007 (IEC61000-6-1:2005).
EN 61000-6-4:2007 (IEC 61000-6-4:2006) + A1:2001.
FCC Part 15 Subpart B.
Signal colours compliant to IALA E-200-1
ISO9001:2008

Intellectual Property

Trademarks

SEALITE® is a registered trademark of Sealite Pty Ltd
3 years

SEALITE® is a registered trademark of Sealite Pty Ltd
3 years

Warranty *

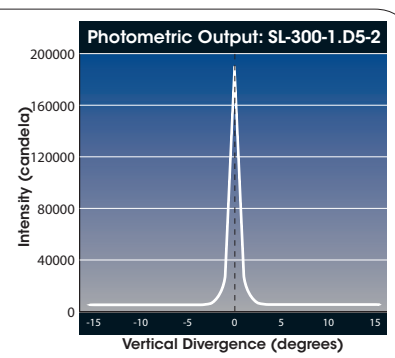
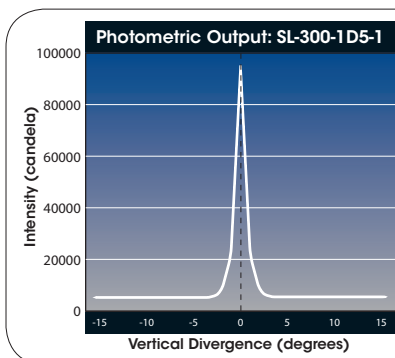
Options Available

- GPS Synchronisation
- AIS Type 1 or Type 3
- GSM Monitoring & Control System
- RS232/422/485 Port
- General purpose inputs (2) & outputs (2)
- Variety of solar/battery configurations
- Bird deterrent spikes
- Serial programming cable

- GPS Synchronisation
- AIS Type 1 or Type 3
- GSM Monitoring & Control System
- RS232/422/485 Port
- General purpose inputs (2) & outputs (2)
- Variety of solar/battery configurations
- Bird deterrent spikes
- Serial programming cable



* Specifications subject to change or variation without notice
† Subject to standard terms and conditions
‡ Intensity setting subject to solar availability

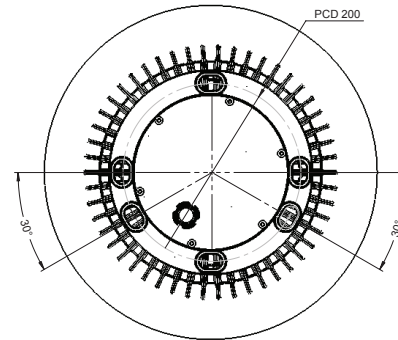
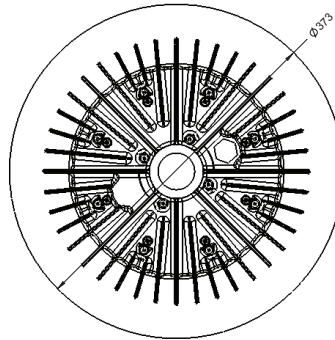
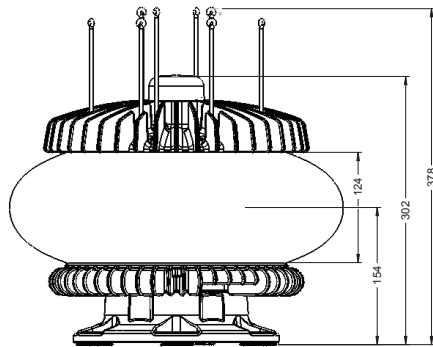


Optical Performance	
Maximum luminous intensity (cd)	
	WHITE
SL-300-1D5-1	94,400
SL-300-1D5-2	188,800

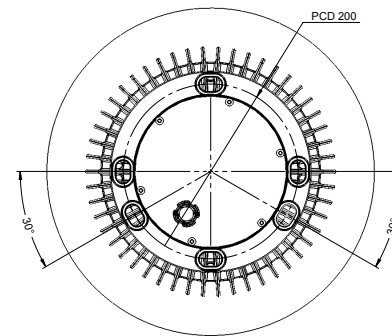
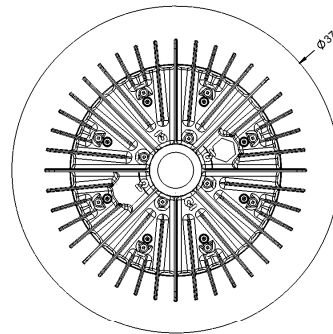
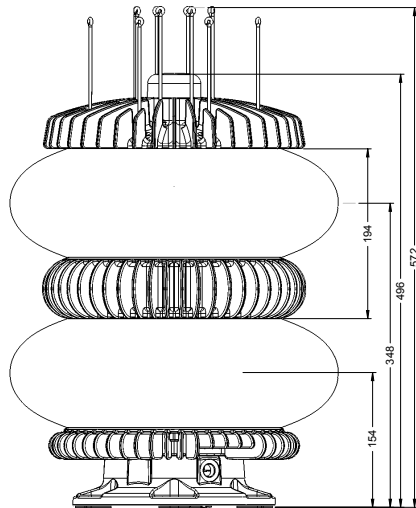
13-21NM Long Range Lanterns

SL-300 Series — SL-300-1D5-1 & SL-300-1D5-2

SL-300-1D5-1 Model



SL-300-1D5-2 Model



HOW TO ORDER

13-21NM Long Range Lantern

SL-300-1D5-[tiers]-[colour]-[?]-[?]

Product No.:

Model:

1D5 = 1.5° Divergence

Tiers:

1 = Single tier

2 = Two tier

Colour:

W = White

(other colours available on request)

Monitoring & Control:

GSM = GSM

GPS = GPS Synchronisation

AIS1 = AIS Type 1

AIS3 = AIS Type 3

HW = Hard-wire sync

[blank] = No monitoring & control

RS Communications Port:

RS = RS communications port

[blank] = No RS communications port

Note: Please contact your Sealite representative for optional power supply solutions

HOW TO ORDER

Solar Power Supply

SL-PS-110-140-01

Product No.:

Battery Capacity:

110 = 110 Ah

Solar Output:

140 = 140 watts

Mount Type:

01 = post mount