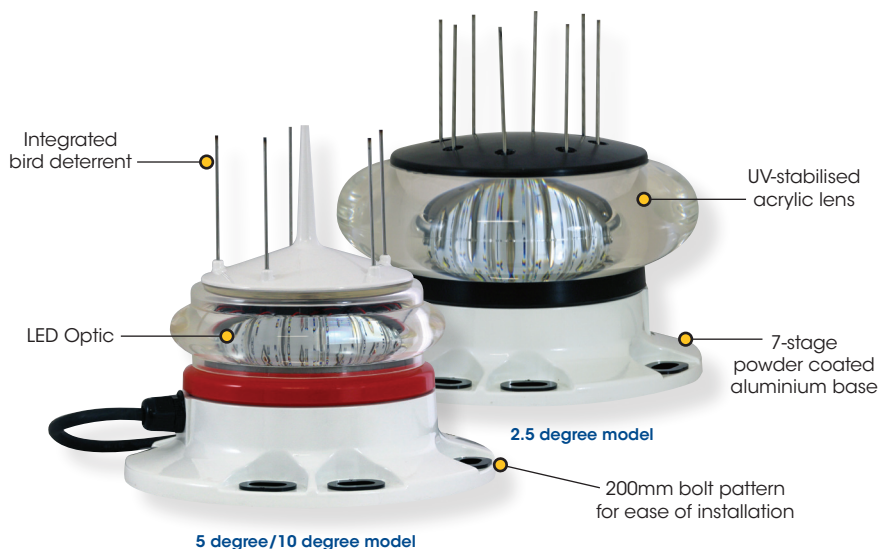


6-13NM Marine Lanterns

SL-155 Series — SL-155-2.5D, SL-155-5D & SL-155-10D



The Sealite Advantage

- Over 9,000cd luminous intensity white
- Compact single tier lantern up to 13NM visible range
- PC or IR Programmer for setup, diagnostic & testing
- Internal or external photocell options
- User configurable day/night lux levels
- Advanced remote monitoring features
- Wide operating voltage range 10 – 30VDC
- Internal data-logging for long term retention of key operational parameters & alarm conditions
- Hardwire synchronisation supporting RS485, RS422
- General purpose input & output

The SL-155 Series are 6-13NM medium range marine lanterns, available in 2.5, 5, or 10 degree vertical distributions.

Small Form Factor

The single tier SL-155 with multiple intensity adjustments, high levels of efficiency, and minimal wind loading, offers significant advantages over other lens stack assemblies.

Advanced PC or IR Programming

Sealite's convenient PC Configuration Tool or IR programmer allows a host of features to be user set including:

- Multiple intensity settings
- 310 flash settings including custom character
- Automatic effective intensity adjustment
- Adjustable on/off lux levels
- Low battery threshold
- GPS synchronisation offset
- Alarm conditions

Optional GPS Synchronisation

For flash synchronisation of lanterns a GPS module may be fitted.

When lanterns flash in synchronisation they can be clearly distinguished from other nav aids and confusing background lighting – ideal for rivers and channel marking.

Optional GSM Monitoring & Control

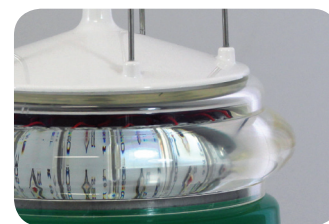
The SL-155 lanterns may also be fitted with a GSM Cell-Phone Monitoring and Control System – enabling users to access real-time diagnostics data and change lantern settings via cell-phone. The system can also be configured to send out alarm SMS text messages to designated cellular telephone numbers. Users can also have alarms and reports sent to designated email addresses.

Optional Type 1 or Type 3 AIS - Integrated or External

The SL-155 lanterns (5 & 10 degree models) are available with a class-leading integrated, low-powered Type 1 or Type 3 AIS.

When fitted, the AIS is encapsulated within the body of the SL-155 to maintain the weatherproof integrity and come standard with GPS.

All 3 models can also be ordered with an external Type 1 or Type 3 AIS transponder if required, along with various solar power options.



LED lens



IR Remote Programmer



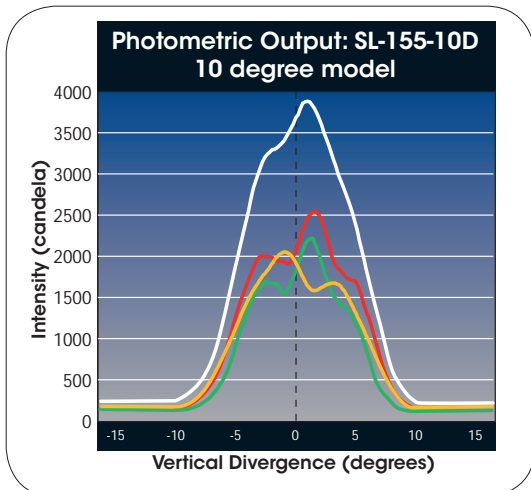
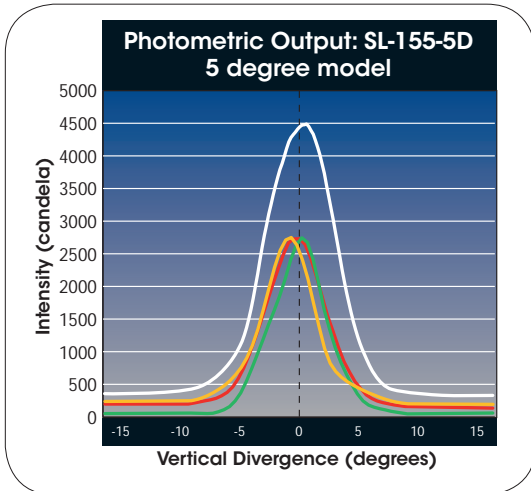
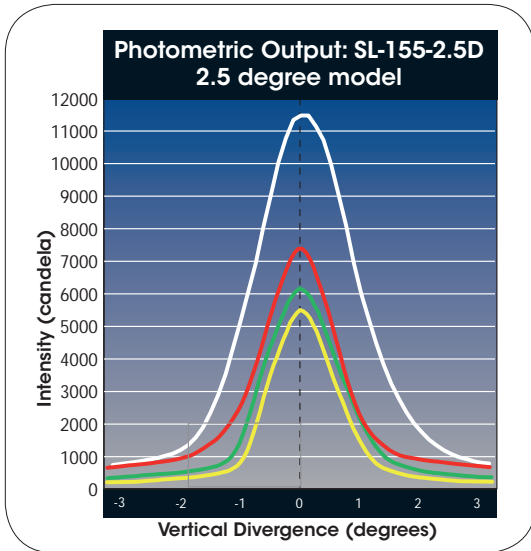
5 degree/10 degree model with integrated AIS



6-13NM Marine Lanterns

SL-155 Series — SL-155-2.5D, SL-155-5D & SL-155-10D

| Optical Performance | | | | |
|---------------------------------|-------|-------|--------|--------|
| Maximum luminous intensity (cd) | | | | |
| | RED | GREEN | WHITE | YELLOW |
| 2.5deg | 7,357 | 6,052 | 11,505 | 5,414 |
| 5deg | 2,765 | 2,796 | 4,611 | 2,778 |
| 10deg | 2,581 | 2,213 | 3,910 | 2,041 |

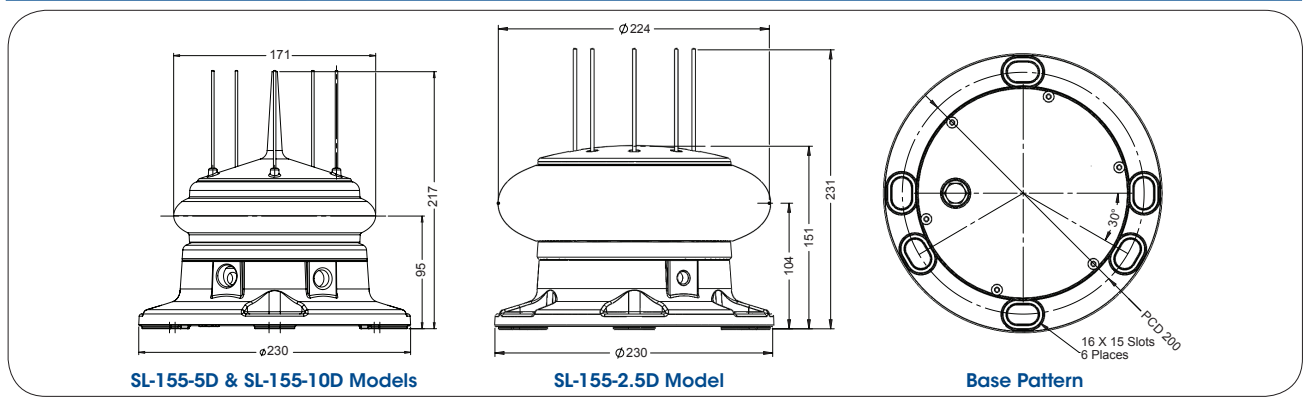


6-13NM Marine Lanterns

SL-155 Series — SL-155-2.5D, SL-155-5D & SL-155-10D

| SPECIFICATIONS* * ✉ | 5° & 10° Models | 2.5° Model |
|-----------------------------------|---------------------------------------------------------------------------------------------------------------------------------------------------------------------------------------------------------------------------------------------------------------------------------------------------------------------------------------------------------------------------------------------------------------------------------------------------------------------------------------------------------------------------------------------|---------------------------------------------------------------------------------------------------------------------------------------------------------------------------------------------------------------------------------------------------------------------------------------------------------------------------------------------------------------------------------------------------------------------------------------------------------------------------------------------------------------------------------------------|
| | SL-155-5D & SL-155-10D | SL-155-2.5D |
| Light Characteristics | | |
| Light Source | High efficiency LEDs | High efficiency LEDs |
| Available Colours | Red, Green, White, Yellow | Red, Green, White, Yellow |
| Maximum Luminous Intensity (cd)† | 5 degree model: Red - 2765 Green - 2796 White - 4611 Yellow - 2778 10 degree model: Red - 2581 Green - 2213 White - 3910 Yellow - 2041 | 2.5 degree model: Red - 7357 Green - 6052 White - 11505 Yellow - 5414 |
| Visible Range (NM) | AT @ 0.74: 6-13 AT @ 0.85: 7.8-19.2 | AT @ 0.74: 6-13 AT @ 0.85: 7.8-19.2 |
| Horizontal Output (degrees) | 0° - 360° | 0° - 360° |
| Vertical Divergence (degrees) | 5° or 10° | 2.5° |
| Available Flash Characteristics | Up to 310 including 256 IALA recommended, & 1 custom | Up to 310 including 256 IALA recommended, & 1 custom |
| Intensity Adjustments | User adjustable | User adjustable |
| LED Life Expectancy (hours) | >100,000 | >100,000 |
| Electrical Characteristics | | |
| Average Power (W) | Variable up to 18 | Variable up to 22 |
| Circuit Protection | Polarity protected | Polarity protected |
| Nominal Voltage (VDC) | 12-24 | 12-24 |
| Temperature Range | -40 to 80°C | -40 to 80°C |
| Physical Characteristics | | |
| Body Material | 7-stage powder-coated aluminium | 7-stage powder-coated aluminium |
| Lens Material | UV-stabilised acrylic | UV-stabilised acrylic |
| Lens Diameter (mm/inches) | 171 / 6¾ | 224 / 8¾ |
| Lens Design | Multiple LED optic | Multiple LED optic |
| Mounting | 3 & 4 hole 200mm bolt pattern | 3 & 4 hole 200mm bolt pattern |
| Height (mm/inches) | 217 / 8½ | 231 / 9½ |
| Width (mm/inches) | 230 / 9 | 230 / 9 |
| Mass (kg/lbs) | 5 / 11 | 5.5 / 12¼ |
| Product Life Expectancy | Up to 12 years | Up to 12 years |
| Environmental Standards | | |
| Shock | MIL-STD-202G Test Condition H, Method 213B 30G vertical and 35G horizontal shock | MIL-STD-202G Test Condition H, Method 213B 30G vertical and 35G horizontal shock |
| Vibration | MIL-STD-202G, Test Condition B, Method 204D 5G in all axes | MIL-STD-202G, Test Condition B, Method 204D 5G in all axes |
| Immersion | MIL-STD-202G, Method 104A | MIL-STD-202G, Method 104A |
| Salt Fog | Rated to withstand continuous exposure to salt water and spray | Rated to withstand continuous exposure to salt water and spray |
| Ice Loading | Rated to withstand 22kg/m² | Rated to withstand 22kg/m² |
| Wind Exposure | Rated to withstand 140knots | Rated to withstand 140knots |
| Hail Impact | Rated to withstand 25mm diameter ice ball impact at 20m/s | Rated to withstand 25mm diameter ice ball impact at 20m/s |
| Humidity | 0 - 100%, condensing | 0 - 100%, condensing |
| Driving Rain | at 45° from vertical | at 45° from vertical |
| Certifications | | |
| CE & Electrical | FCC Part 15 Rules & ICES-003. EN61000-6-1: 2007 (IEC61000-6-1:2005) Part 6-1 Immunity. EN61000-6-3: 2007 (IEC61000-6-3: 2006) Electromagnetic compatibility (EMC) - Part 6-3 Emission. IEC61000-4-2: 2008 Ed 2 Part 4-2 Electrostatic discharge immunity test Level 4. IEC61000-4-3: 2010 Ed 3.2 Part 4-3. Radiated, radio-frequency, electromagnetic field immunity. IEC61000-4-6: 2008 Ed3. , Electromagnetic compatibility (EMC) - Part 4-6 Immunity. Signal colours compliant to IALA E-200-1 ISO9001:2008 IP68 | FCC Part 15 Rules & ICES-003. EN61000-6-1: 2007 (IEC61000-6-1:2005) Part 6-1 Immunity. EN61000-6-3: 2007 (IEC61000-6-3: 2006) Electromagnetic compatibility (EMC) - Part 6-3 Emission. IEC61000-4-2: 2008 Ed 2 Part 4-2 Electrostatic discharge immunity test Level 4. IEC61000-4-3: 2010 Ed 3.2 Part 4-3. Radiated, radio-frequency, electromagnetic field immunity. IEC61000-4-6: 2008 Ed3. , Electromagnetic compatibility (EMC) - Part 4-6 Immunity. Signal colours compliant to IALA E-200-1 ISO9001:2008 IP68 |
| IALA | | |
| Quality Assurance | | |
| Waterproof | | |
| Intellectual Property | | |
| Trademarks | SEALITE® is a registered trademark of Sealite Pty Ltd | SEALITE® is a registered trademark of Sealite Pty Ltd |
| Warranty * | 3 years | 3 years |
| Options Available | <ul style="list-style-type: none"> • GPS Synchronisation • AIS Type 1 or Type 3 • GSM Monitoring & Control System • RS232/422/485 Communication Port • General purpose input & output • Variety of solar/battery configurations • Serial programming cable • Hard-wire Synchronisation | <ul style="list-style-type: none"> • GPS Synchronisation • AIS Type 1 or Type 3 • GSM Monitoring & Control System • RS232/422/485 Communication Port • General purpose input & output • Variety of solar/battery configurations • Serial programming cable • Hard-wire Synchronisation |

Specifications subject to change or variation without notice
* Subject to standard terms and conditions
† Intensity setting subject to solar availability





Also available with optional solar power supplies



Sealite Pty Ltd
Australia
t: +61 (0)3 5977 6128

Sealite Asia Pte Ltd
Singapore
t: +65 6829 2243

Sealite United Kingdom Ltd
UK
t: +44 (0) 1502 588026

Sealite USA LLC
USA
t: +1 (603) 737 1311