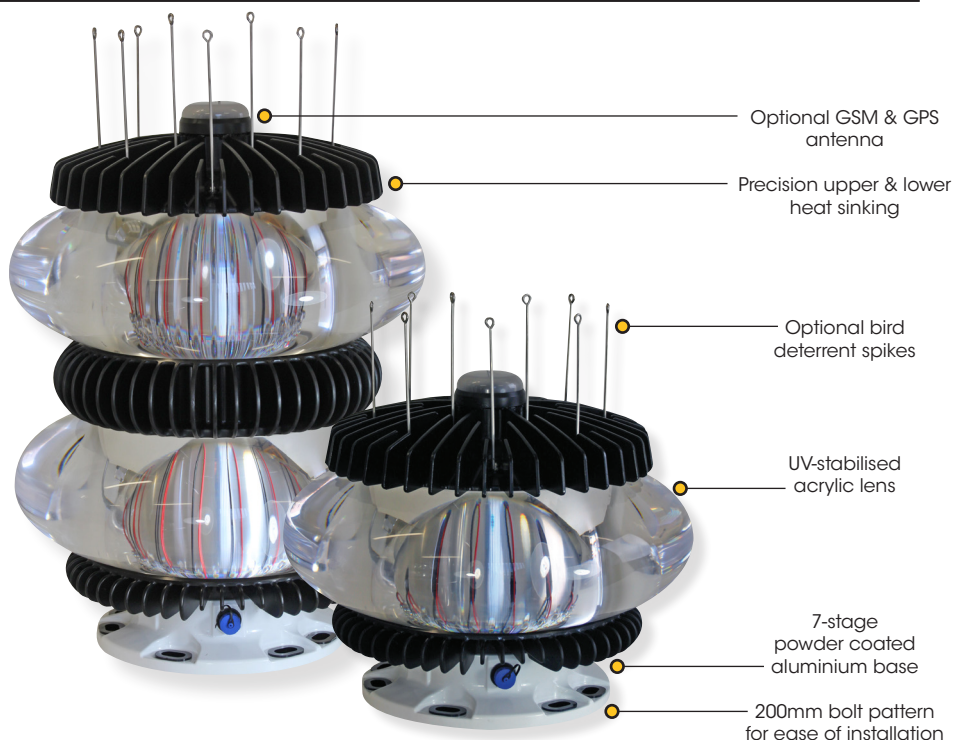


# 13-21NM Long Range Lanterns

SL-300 Series — SL-300-1D5-1 & SL-300-1D5-2



## The Sealite Advantage

- Over 90,000cd luminous intensity white - single tier
- Over 180,000cd luminous intensity white - two tier
- Compact lantern up to 21NM visible range
- PC or IR Programmer for setup, diagnostic & testing
- Internal or external photocell options
- User configurable day/night lux levels
- Advanced remote monitoring features
- Wide operating voltage range 20-58VDC
- Internal data-logging for long term retention of key operational parameters & alarm conditions
- General purpose inputs (two) & outputs (two)

The SL-300-1D5 series are 13 to 21NM long range marine lanterns with 1.5 degree vertical distribution, suitable for a range of day and night applications.

### High Intensity, Small Form Factor

The SL-300-1D5 series offers multiple intensity adjustments to over 90,000cd luminous intensity in a single tier (over 180,000cd in a 2-tier configuration). The small form factor provides minimal wind loading and convenient handling - delivering significant advantages over traditional larger lens stack assemblies.

### High Efficiency

The long range lanterns produce a class-leading intensity to power ratio, making them highly efficient and suitable for solar power solutions.

### Advanced PC or IR Programming

Sealite's convenient PC Configuration Tool or IR programmer allows a host of features to be user set including;

- Multiple intensity settings
- 310 flash settings including custom character
- Automatic effective intensity adjustment
- Adjustable on/off lux levels
- Low battery threshold
- GPS synchronisation offset
- Alarm conditions

### Optional GPS Synchronisation

For flash synchronisation of lanterns a GPS module may be fitted.

### Optional GSM Monitoring & Control

The SL-300-2D5-1 lantern may be fitted with a GSM module for monitoring and control - enabling users to access real-time diagnostic data and change lantern settings via cell-phone.

### Optional Type 1 or Type 3 AIS

The SL-300-1D5 lantern is available with class-leading integrated, low-powered Type 1 or Type 3 AIS. When fitted, the AIS is encapsulated within the body of the lantern to maintain the weatherproof integrity.



Precision upper heat sink



Shown with optional GPS antenna

# 13-21NM Long Range Lanterns

## SL-300 Series — SL-300-1D5-1 & SL-300-1D5-2

### SPECIFICATIONS\* \*

#### 1.5° Single Tier Model

#### 1.5° Two Tier Model

##### SL-300-1D5-1

##### SL-300-1D5-2

#### Light Characteristics

Light Source  
Available Colours  
Maximum Luminous Intensity (cd)†

High efficiency LEDs  
White, Red, Green, Other colours available on request  
White - 94,400, Red - 37,000, Green - 32,000

High efficiency LEDs  
White, Red, Green, Other colours available on request  
White - 188,800, Red - 74,000, Green - 64,000

Visible Range (NM)

AT @ 0.74: 13-19  
AT @ 0.85: 19.2-29.6

AT @ 0.74: 19-21  
AT @ 0.85: 29.6-33

Horizontal Output (degrees)  
Vertical Divergence (degrees)

0° - 360°  
>1.5

0° - 360°  
>1.5

Available Flash Characteristics

Up to 310 including 256 IALA recommended, & 1 custom

Up to 310 including 256 IALA recommended, & 1 custom

Intensity Adjustments

User adjustable

User adjustable

LED Life Expectancy (hours)

>100,000

>100,000

#### Electrical Characteristics

Average Power (W)  
Circuit Protection  
Nominal Voltage (VDC)  
Temperature Range

Variable up to 132W  
Polarity protected  
24-48  
-40 to 60°C

Variable up to 264W  
Polarity protected  
24-48  
-40 to 60°C

#### Physical Characteristics

Body Material  
Lens Material  
Lens Diameter (mm/inches)  
Lens Design  
Mounting  
Height (mm/inches)  
Width (mm/inches)  
Mass (kg/lbs)  
Product Life Expectancy

7-stage powder-coated aluminium  
UV-stabilised acrylic  
373 / 14¾  
Multiple LED optic  
3 & 4 hole 200mm bolt pattern  
302 / 12  
373 / 14¾  
18.5 / 40¾  
Up to 12 years

7-stage powder-coated aluminium  
UV-stabilised acrylic  
373 / 14¾  
Multiple LED optic  
3 & 4 hole 200mm bolt pattern  
496 / 19½  
373 / 14¾  
38.5 / 85  
Up to 12 years

#### Environmental Standards

Wind Exposure  
Humidity  
Driving Rain  
Waterproof

Rated to withstand 140knots  
0 - 100%, condensing  
at 45° from vertical  
IP68

Rated to withstand 140knots  
0 - 100%, condensing  
at 45° from vertical  
IP68

#### Certifications

Immunity  
Emission  
FCC Part 15 Rules  
IALA  
Quality Assurance

EN 61000-6-1:2007 (IEC61000-6-1:2005).  
EN 61000-6-4:2007 (IEC 61000-6-4:2006) + A1:2001.  
FCC Part 15 Subpart B.  
Signal colours compliant to IALA E-200-1  
ISO9001:2008

EN 61000-6-1:2007 (IEC61000-6-1:2005).  
EN 61000-6-4:2007 (IEC 61000-6-4:2006) + A1:2001.  
FCC Part 15 Subpart B.  
Signal colours compliant to IALA E-200-1  
ISO9001:2008

#### Intellectual Property

Trademarks

SEALITE® is a registered trademark of Sealite Pty Ltd  
3 years

SEALITE® is a registered trademark of Sealite Pty Ltd  
3 years

#### Warranty \*

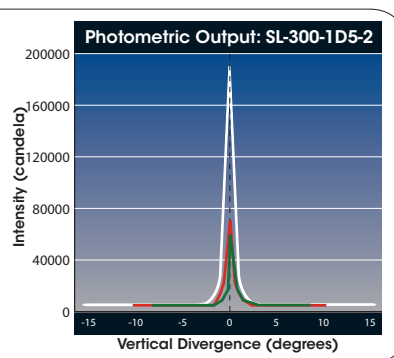
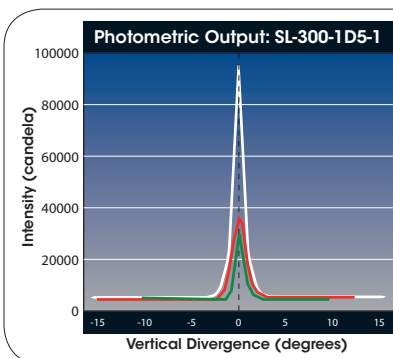
#### Options Available

- GPS Synchronisation
- AIS Type 1 or Type 3
- GSM Monitoring & Control System
- RS232/422/485 Port
- General purpose inputs (2) & outputs (2)
- Variety of solar/battery configurations
- Bird deterrent spikes
- Serial programming cable

- GPS Synchronisation
- AIS Type 1 or Type 3
- GSM Monitoring & Control System
- RS232/422/485 Port
- General purpose inputs (2) & outputs (2)
- Variety of solar/battery configurations
- Bird deterrent spikes
- Serial programming cable



\* Specifications subject to change or variation without notice  
† Subject to standard terms and conditions  
‡ Intensity setting subject to solar availability

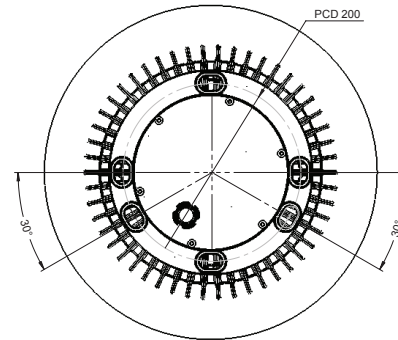
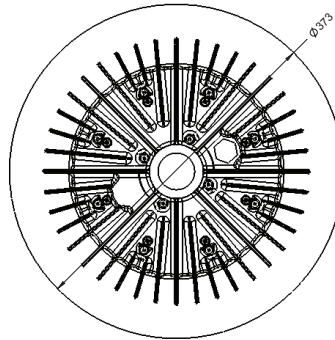
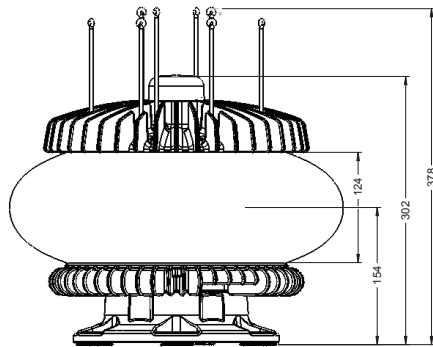


Optical Performance			
Maximum luminous intensity (cd)			
	WHITE	RED	GREEN
SL-300-1D5-1	94,400	37,000	32,000
SL-300-1D5-2	188,800	74,000	64,000

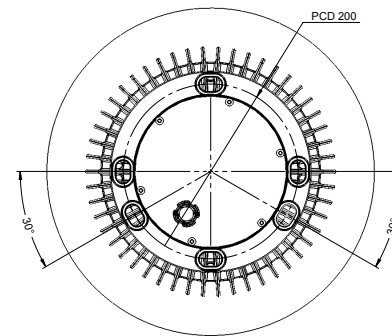
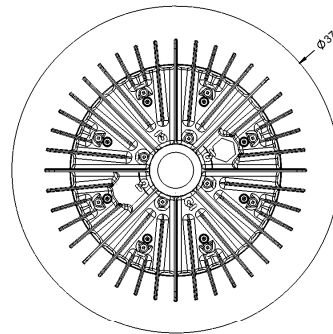
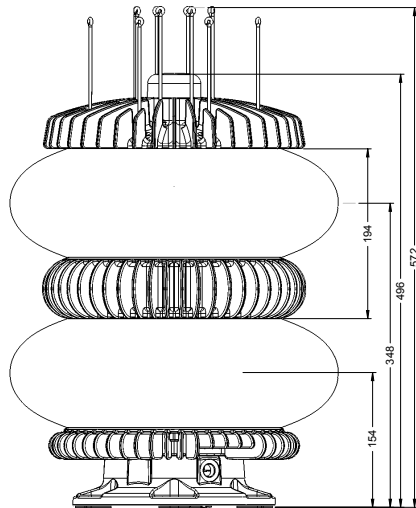
# 13-21NM Long Range Lanterns

SL-300 Series — SL-300-1D5-1 & SL-300-1D5-2

SL-300-1D5-1 Model



SL-300-1D5-2 Model



## HOW TO ORDER

### 13-21NM Long Range Lantern

SL-300-1D5-[tiers]-[colour]-[?]-[?]

Product No.: \_\_\_\_\_

Model: \_\_\_\_\_  
1D5 = 1.5° Divergence

Tiers: \_\_\_\_\_  
1 = Single tier  
2 = Two tier

Colour: \_\_\_\_\_  
W = White  
(other colours available on request)

Monitoring & Control: \_\_\_\_\_  
GSM = GSM  
GPS = GPS Synchronisation  
AIS1 = AIS Type 1  
AIS3 = AIS Type 3  
HW = Hard-wire sync  
[blank] = No monitoring & control

RS Communications Port: \_\_\_\_\_  
RS = RS communications port  
[blank] = No RS communications port

Note: Please contact your Sealite representative for optional power supply solutions

## HOW TO ORDER

### Solar Power Supply

SL-PS-110-140-01

Product No.: \_\_\_\_\_

Battery Capacity: \_\_\_\_\_  
110 = 110 Ah

Solar Output: \_\_\_\_\_  
140 = 140 watts

Mount Type: \_\_\_\_\_  
01 = post mount