

Pile Caps

SL-PC Series



The Sealite Advantage

- Strong polyethylene construction
- Rotationally moulded
- High visibility red, green, white, blue or yellow as per IALA recommendations
- Easy to install
- Optional SL-15 solar LED marine lantern for safe day and night navigation (SL-PC-410 Model only)

Sealite's pile caps can be used for domestic pontoons and commercial marinas to create a safe and visually appealing docking facility. They are constructed from strong polyethylene and are available in a range of high visibility colours.

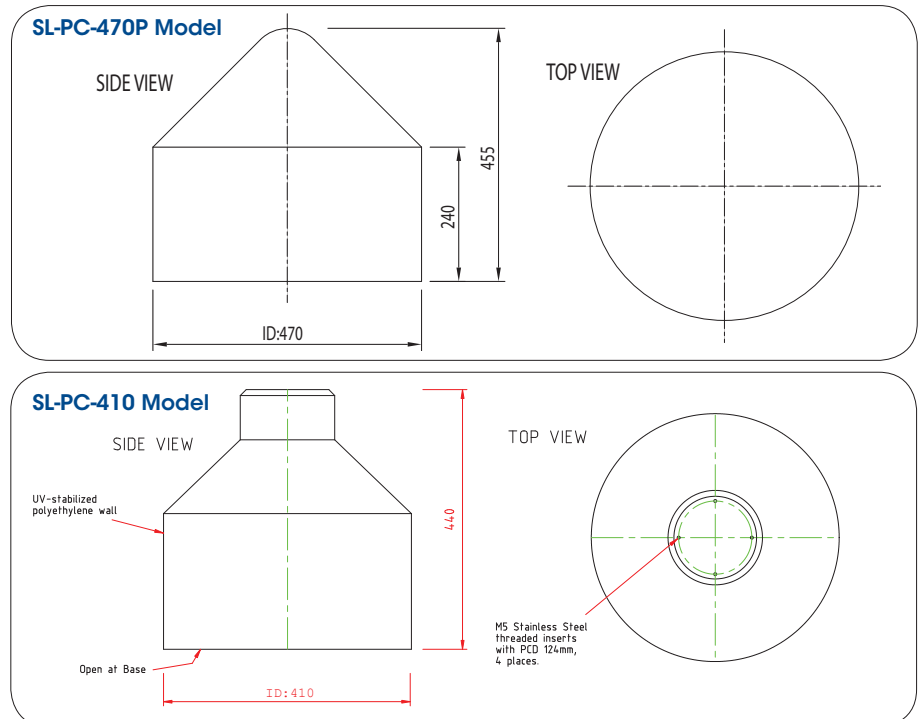
Manufactured from strong, UV-stabilised polyethylene the caps are able to stand up to the harsh marine environment. The pile cap keeps rain out of the top of timber piles helping to prevent rot to extend the life of the pile.

Sealite's pile caps are rotationally moulded as a single piece with a wall thickness of 4mm - increasing strength and ensuring a robust and functional product. The pile caps are fitted to the top of the pile and, while extremely strong and durable, are flexible enough to make installing simple.

The SL-PC-410 model can be fitted with an optional SL-15 self-contained, solar LED marine lantern. The lantern is equipped with a bird spike to prevent birds roosting. The lighted pile caps provide high day and night visibility and are available in red, green, white, blue or yellow. During daylight hours the solar module will charge the battery, and the lantern will automatically begin operation at dusk - once the ambient light threshold drops sufficiently.



Optional
Mould-in Graphics
Available



• Specifications subject to change or variation without notice
* Subject to standard terms and conditions

