

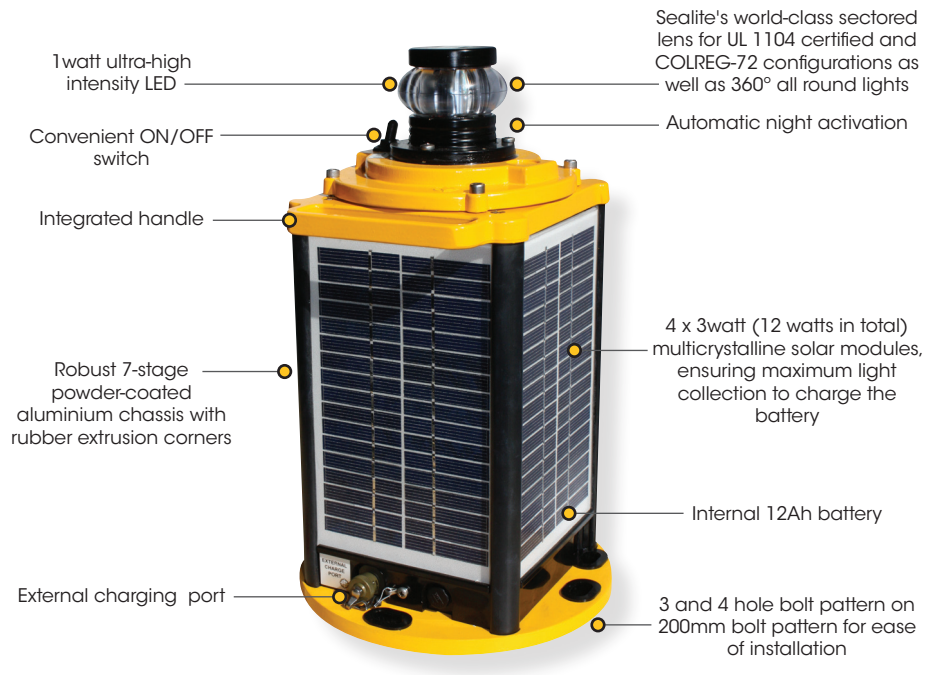
# 3NM Solar Barge Light

BargeSafe™ Solar 3NM



Available with optional Peep-Light

**Meets UL 1104**  
**Applicable Sections for**  
**a 3NM Barge Light &**  
**COLREG-72 Compliant**



## The Sealite Advantage

- 3NM visible range
- Certified to UL 1104 & COLREG-72 photometrics
- All components user-replaceable in the unlikely event of damage
- Complete self-contained solar/battery light
- LED technology
- Precise light sectoring achieved via Sealite's world-class in-house designed lens
- Robust
- Installs in seconds
- Low power consumption
- IP67 waterproof

The Sealite BargeSafe™ Solar 3NM solar-powered LED barge light is certified to UL 1104 and COLREG-72 photometrics, and is completely self-contained with solar modules and battery.

The LED barge light is one of the most advanced in its class, and incorporates a host of innovative features designed to make the unit extremely user-friendly.

The world-class LED lens is designed by Sealite and achieves precise intensity and sectoring requirements from a single LED light source. This design helps achieve a lower operational current compared with alternative LED barge lights - making the unit ultra efficient.

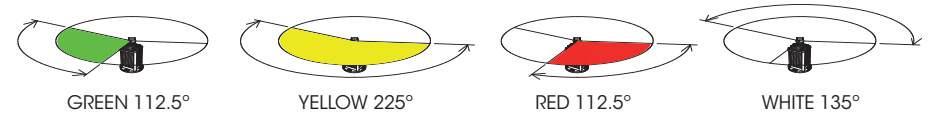
The unit is made from cast aluminium and subject to 7-stage powder-coating coloured for easy identification of light output colour, and rubber extrusions - offering enormous impact resistance and long operational life. Four (4) premium-grade solar modules are integrated into the assembly, and mounted to collect sunlight at all angles.

### All Round 360° Light Configuration

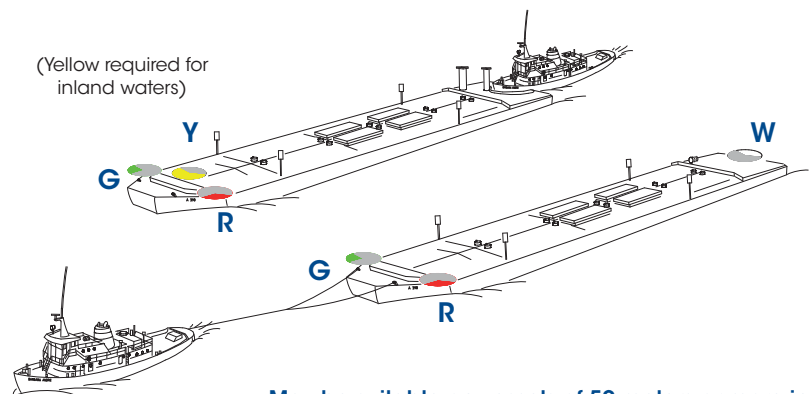
The Sealite BargeSafe™ Solar 3NM is also available as a 360 degree all round light with either flashing or steady-on flash characteristics. Please note, this configuration is only available when fitted with a 12 volt battery.

### Optional Peep-Light

Sealite BargeSafe™ Solar 3NM is available with an optional Peep-Light for the SL-BLSY-3-S masthead light to assist in the navigation of inland waterways. This blue steady-on light is used to guide mariners when manoeuvring the barge into dock and to help determine the swing of the bow when viewed from the stern. The Peep-Light comes standard with 12V rechargeable battery connection.



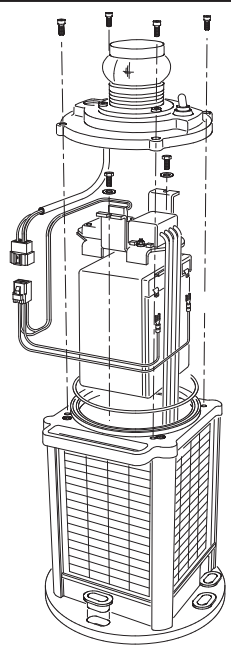
(Yellow required for inland waters)



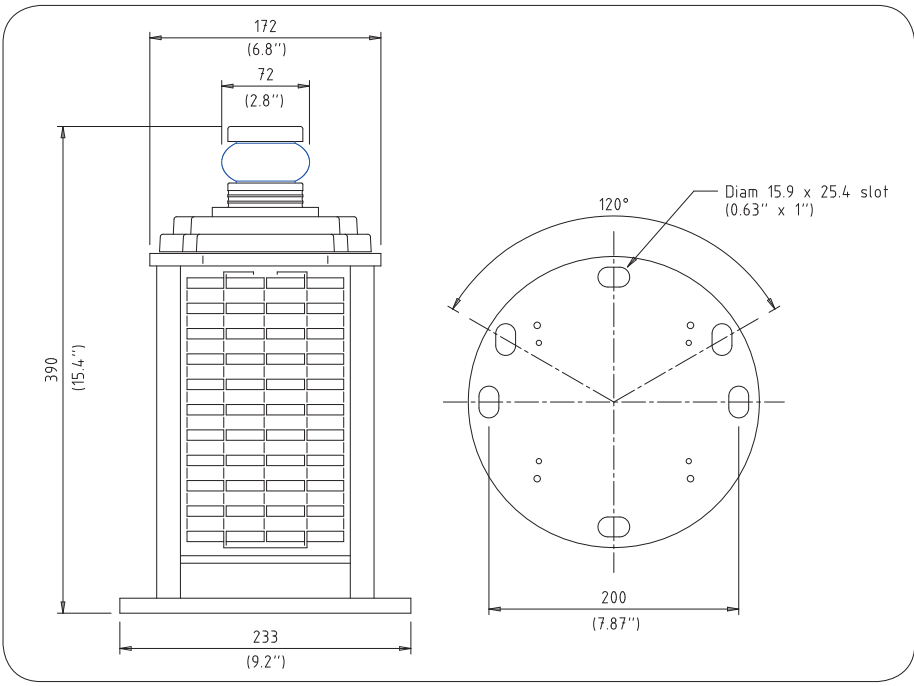
May be suitable on vessels of 50 meters or more in length.

# 3NM Solar Barge Light

BargeSafe™ Solar 3NM



Convenient user-replaceable battery



BargeSafe™ Solar 3NM Barge Lights installed in Uruguay



BargeSafe™ Solar 3NM installed in Slovenia

## SPECIFICATIONS\* \* BargeSafe™ Solar 3NM

<b>Light Characteristics</b>	1 x 1 watt ultra-high intensity LED (sectored configuration). Red, Green, White, Yellow as per UL 1104 & COLREG-72
Light Source	As per UL 1104 & COLREG-72
Available Colours	AT @ 0.74: >3NM as per UL 1104 & COLREG-72
Maximum Available Intensity (cd)†	AT @ 0.85: >3.5NM as per UL 1104 & COLREG-72
Visible Range (NM)	Red - 112.5° Green - 112.5° White - 135° Yellow - 225° as per UL 1104 & COLREG-72.
Horizontal Output (degrees)	As per UL 1104 & COLREG-72 (steady-on & flashing)
Flash Characteristics	>100,000
LED Life Expectancy (hours)	
<b>Electrical Characteristics</b>	
Current Draw (mA)	Minimal
Circuit Protection	Integrated
Nominal Voltage (V)	12
Temperature Range	-40 to 80°C
<b>Solar Characteristics</b>	
Solar Module Type	Multicrystalline
Output (watts)	12 (4 x 3 watt)
Charging Regulation	Microprocessor controlled
<b>Power Supply</b>	
Battery Type	SLA (Sealed Lead Acid)
Battery Capacity (Ah)	12
Nominal Voltage (V)	12
Autonomy (days)	>24
<b>Physical Characteristics</b>	
Battery Housing	7-stage powder-coated aluminium chassis with UV-stabilised rubber corners & gaskets
Lens Material	Acrylic
Lens Mount & Top	Anodised aluminium
	Internal single LED cavity with individual sectoring compartments to meet all UL 1104 & COLREG-72 angles for light output. Internal 3 x LED cavities to suit 360° all round light configuration
Mounting	3 & 4 hole 200mm bolt pattern
Height (mm/inches)	390 / 15 <sup>2</sup> / <sub>5</sub>
Width (mm/inches)	233 / 9 <sup>1</sup> / <sub>5</sub>
Mass (kg/lbs)	9.2 / 20 <sup>1</sup> / <sub>4</sub>
Product Life Expectancy	Up to 12 years
<b>Certifications</b>	
Approvals	UL 1104, COLREG-72
IALA	Signal colours compliant to IALA E-200-1
Quality Assurance	ISO9001:2008
Waterproof	IP67
<b>Intellectual Property</b>	
Trademarks	SEALITE® is a registered trademark of Sealite Pty Ltd BargeSafe™ is a trademark of Sealite Pty Ltd
<b>Warranty</b> *	1 year

CE • Specifications subject to change or variation without notice  
\* Subject to standard terms and conditions  
† Intensity setting subject to solar availability

# BargeSafe™ Series

## Order Codes



ORDER CODES: BargeSafe™ Solar 2NM	
SL-BLR-2-8AHR	BargeSafe™ Solar 2NM LED Barge Sidelight Port RED, 112.5° sector, 2NM as per UL 1104 applicable sections COLREG-72 compliant.
SL-BLG-2-8AHR	BargeSafe™ Solar 2NM LED Barge Sidelight Starboard GREEN, 112.5° sector, 2NM as per UL 1104 applicable sections. COLREG-72 compliant.
SL-BLW-2-8AHR	BargeSafe™ Solar 2NM LED Barge Light Stern WHITE, 135° sector, 2NM as per UL 1104 applicable sections COLREG-72 compliant.
SL-BLR-2-16AHR	BargeSafe™ Solar 2NM LED Barge Sidelight Port RED, 112.5° sector, 2NM as per UL 1104 applicable sections COLREG-72 compliant c/w 16Ah battery
SL-BLG-2-16AHR	BargeSafe™ Solar 2NM LED Barge Sidelight Starboard GREEN, 112.5° sector, 2NM as per UL 1104 applicable sections COLREG-72 compliant c/w 16Ah battery
SL-BLW-2-16AHR	BargeSafe™ Solar 2NM LED Barge Light Stern WHITE, 135° sector, 2NM as per UL 1104 applicable sections COLREG-72 compliant c/w 16Ah battery



ORDER CODES: BargeSafe™ Solar 3NM	
SL-BLSR-3	BargeSafe™ Solar 3NM LED Barge Sidelight Port RED, 112.5° sector, 3NM as per UL 1104 applicable sections COLREG-72 compliant
SL-BLSG-3	BargeSafe™ Solar 3NM LED Barge Sidelight Starboard GREEN, 112.5° sector, 3NM as per UL 1104 applicable sections COLREG-72 compliant
SL-BLSW-3	BargeSafe™ Solar 3NM Barge Stern/Towing WHITE, 135° sector, 3NM LED as per UL 1104 applicable sections COLREG-72 compliant
SL-BLSY-3	BargeSafe™ Solar 3NM LED Barge Masthead YELLOW, 225° sector, 3NM as per UL 1104 applicable sections COLREG-72 compliant
SL-BLSY-3-BC	BargeSafe™ Solar 3NM LED Barge Masthead YELLOW, 225° sector, 3NM as per UL 1104 applicable sections COLREG-72 compliant c/w bulgin connector for Peep-Light attachment (Peep-Light NOT included)
SL-BLS-3-360	All Round 360° BargeSafe™ Solar Light Configuration



ORDER CODES: BargeSafe™ 3NM	
SL-BLR-3	BargeSafe™ 3NM LED Barge Sidelight Port RED, 112.5° sector, 3NM as per UL 1104 applicable sections COLREG-72 compliant Excludes battery
SL-BLG-3	BargeSafe™ 3NM LED Barge Sidelight Starboard GREEN, 112.5° sector, 3NM as per UL 1104 applicable sections COLREG-72 compliant Excludes battery
SL-BLW-3	BargeSafe™ 3NM LED Barge Stern/Towing WHITE, 135° sector, 3NM as per UL 1104 applicable sections COLREG-72 compliant Excludes battery
SL-BLY-3	BargeSafe™ 3NM LED Barge Masthead YELLOW, 225° sector, 3NM as per UL 1104 applicable sections COLREG-72 compliant Excludes battery
SL-BLY-3-BC	BargeSafe™ 3NM LED Barge Masthead YELLOW, 225° sector, 3NM as per UL 1104 applicable sections COLREG-72 compliant c/w bulgin connector for Peep-Light attachment (Peep-Light NOT included) Excludes battery
SL-BL-3-360	All Round 360° BargeSafe™ Light Configuration