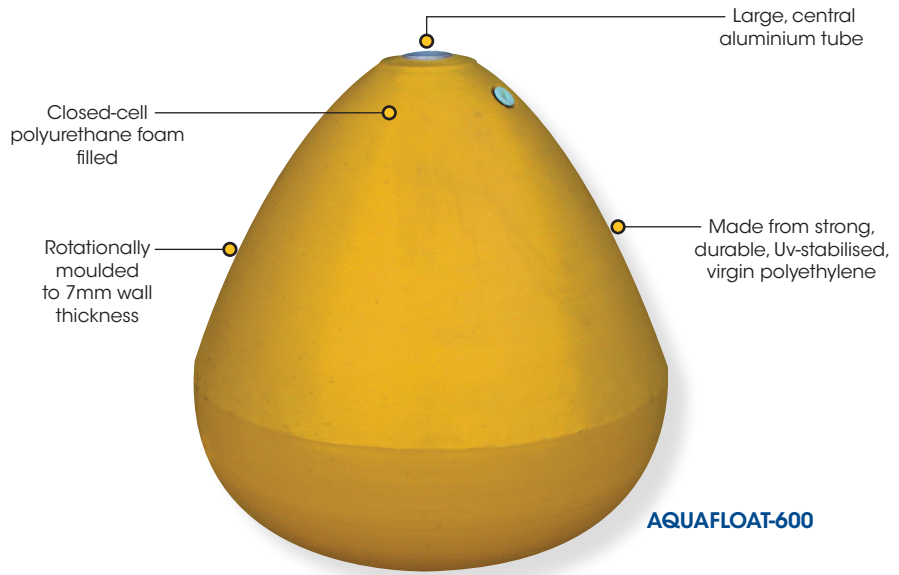


400mm & 600mm dia. Marker Buoys

AQUAFLOAT Series

Sealite have a range of mooring chains & accessories - ask your representative today how we can supply your complete mooring solution



AQUAFLOAT-600

The Sealite Advantage

- High visibility red, green, white or yellow as per IALA recommendations
- Excellent buoyancy

Sealite's AQUAFLOAT-600 is a rotationally-moulded marker buoy designed to give customers flexibility in their floating aid requirements.

A large central tube suits a 55mm OD pipe mount, or may be used to aid installations or provide multiple rope anchorage points.

The AQUAFLOAT-600 is polyurethane foam filled to prevent water ingress in the unlikely event of damage, and is offered in all high-visibility IALA colours.

AQUAFLOAT-400 Marker Buoy

Another model in Sealite's Aquafloat range is the AQUAFLOAT-400, rotationally-moulded 400mm diameter marker buoy float. Designed for a range of installations including mooring, dive sites and to mark underwater work, the AQUAFLOAT-400 is available with various fittings to suit many applications.



AQUAFLOAT-400



Environmentally Friendly & Recyclable

Sealite buoy products are made from recyclable materials. As a service to customers, individual components and products at the end of their service life may be returned to Sealite for recycling.

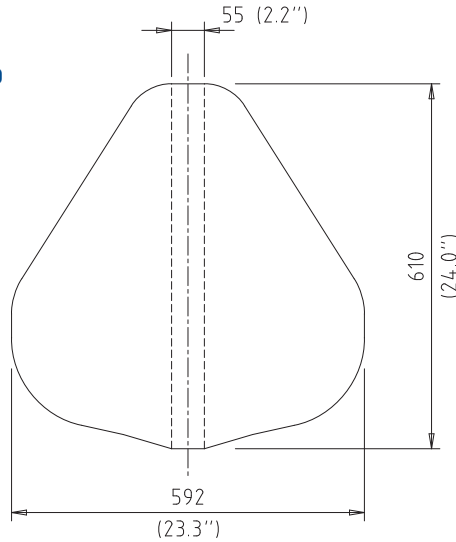


AQUAFLOAT-600 with SL-15 lantern, Maldives

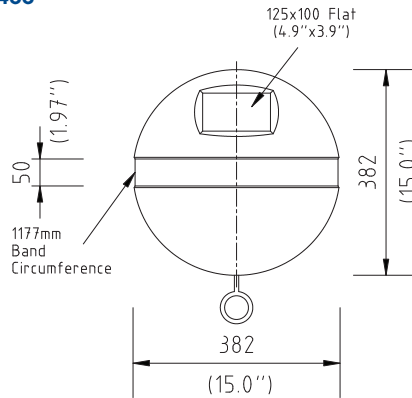
400mm & 600mm dia. Marker Buoys

AQUAFLOAT Series

AQUAFLOAT-600



AQUAFLOAT-400



SPECIFICATIONS * AQUAFLOAT-600 AQUAFLOAT-400

General Characteristics

Available Colours
 Total Float Volume (ltrs/US gallon)
 Reserve Buoyancy (kgs/lbs)
 Maximum Mooring Load (kgs/lbs)
 Draft, Maximum (mm/inches)
 Submergence (kg/cm, lb/inches)

Physical Characteristics

Material
 Wall Thickness (mm/inches)
 Filling
 Height (mm/inches)
 Width (mm/inches)
 Mass (kg/lbs)
 Product Life Expectancy

Certifications

IALA

Quality Assurance

Intellectual Property

Trademarks

Warranty *

Options Available

Red, Green, White, Yellow as per IALA Recommendations
 92 / 24
 40 / 88
 35 / 77
 260 / 10¹/₄
 2.8 / 15.7

Rotationally-moulded
 UV-stabilised virgin polyethylene
 7 / ¹/₄
 Closed-cell polyurethane foam
 610 / 24
 592 / 23¹/₃
 15 / 33
 Up to 12 years

Surface colours compliant to IALA E-108
 ISO9001:2008

SEALITE® is a registered trademark of Sealite Pty Ltd
 1 year
 • Mould-in graphics

Red, Green, White, Yellow as per IALA Recommendations
 29 / 7.7
 12.7 / 28
 12.7 / 28
 360 / 14
 1.1 / 6.2

Rotationally-moulded
 UV-stabilised virgin polyethylene
 7 / ¹/₄
 Closed-cell polyurethane foam
 382 / 15
 382 / 15
 4.5 / 10
 Up to 12 years

Surface colours compliant to IALA E-108
 ISO9001:2008

SEALITE® is a registered trademark of Sealite Pty Ltd
 1 year
 • Mooring Eye
 • Reflective tape



* Specifications subject to change or variation without notice
 * Subject to standard terms and conditions