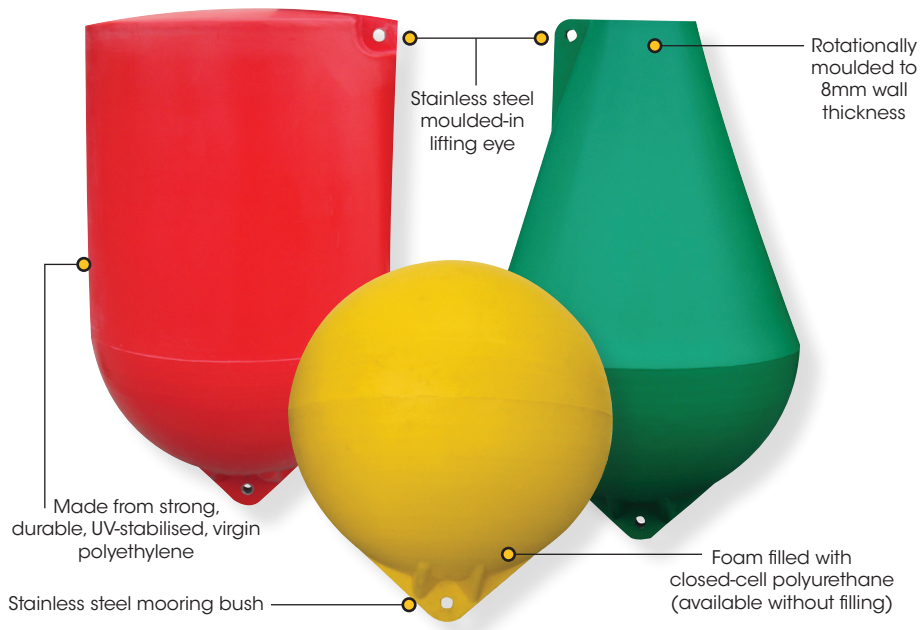


# 800mm dia. Marker Buoys

## AQUAFLOAT-800 Series

Sealite have a range of mooring chains & accessories - ask your representative today how we can supply your complete mooring solution



### The Sealite Advantage

- High visibility red, green, white or yellow as per IALA recommendations
- Range of mooring equipment & chain available
- Available in three configurations to suit every installation
- Excellent buoyancy & stability
- Mould-in graphics to suit customer requirements

The Sealite AQUAFLOAT-800 is a rotationally-moulded marker buoy series designed as a single piece, low-cost aid to marine navigation. With a large 800mm diameter, these buoys provide clear visibility and can be fitted with a range of marine lanterns.

The AQUAFLOAT-800 series of buoys are available in various configurations to suit IALA requirements, and are rotationally-moulded in high-visibility, UV-stabilised polyethylene.

Moulded inserts on the top section of the float allow for convenient lantern attachment, while the buoys are foam filled with closed-cell polyurethane to prevent water ingress in the unlikely event of damage.

Moulded-in stainless steel lifting eyes in the SL-AQF800-CAN and SL-AQF800-CONE buoys enable ease of maintenance and servicing.

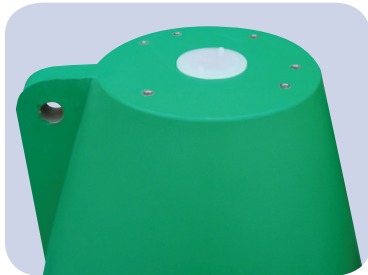
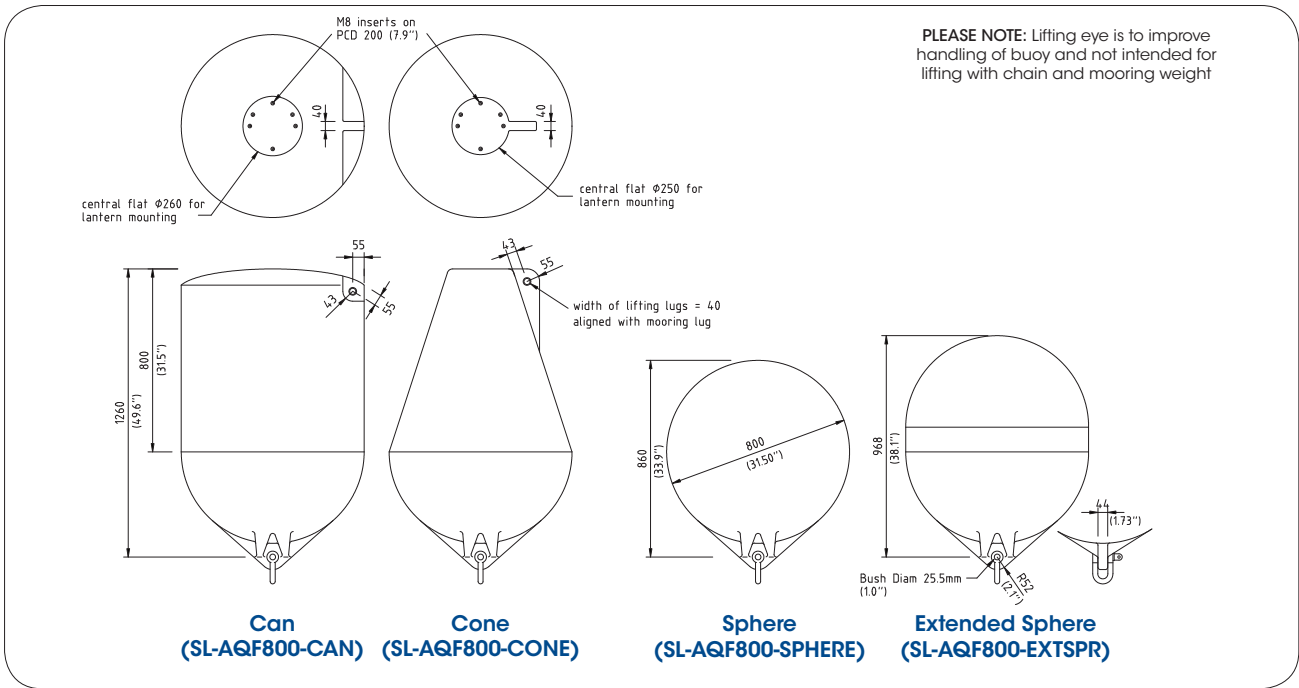


Optional Mould-in Graphics Available



# 800mm dia. Marker Buoys

## AQUAFLOAT-800 Series



Moulded-in stainless steel lifting eyes in the SL-AQF800-CAN and SL-AQF800-CONE buoys enable ease of maintenance and servicing

**Environmentally Friendly & Recyclable**

Sealite buoy products are made from recyclable materials. As a service to customers, individual components and products at the end of their service life may be returned to Sealite for recycling.

### SPECIFICATIONS \* \*

### AQUAFLOAT-800 Series

#### General Characteristics

Available Colours  
Total Float Volume (ttrs/US gallon)  
Reserve Buoyancy (kgs/lbs)  
Maximum Mooring Load (kgs/lbs)  
Draft, Maximum (mm/inches)  
Freeboard, Minimum (mm/inches)

Red, Green, White, Yellow as per IALA Recommendations  
800 / 31 1/2 (SL-AQF800-CAN & SL-AQF800-CONE)  
400 / 15 3/4 (SL-AQF800-SPHERE & SL-AQF800-EXTSPR)  
108 / 238 (SL-AQF800-CAN, SL-AQF800-CONE & SL-AQF800-SPHERE)  
164 / 362 (SL-AQF800-EXTSPR)  
108 / 238 (SL-AQF800-CAN, SL-AQF800-CONE & SL-AQF800-SPHERE)  
164 / 362 (SL-AQF800-EXTSPR)  
510 / 20 (SL-AQF800-CAN, SL-AQF800-CONE & SL-AQF800-SPHERE)  
620 / 24 7/8 (SL-AQF800-EXTSPR)  
800 / 31 1/2 (SL-AQF800-CAN & SL-AQF800-CONE)  
400 / 15 3/4 (SL-AQF800-SPHERE & SL-AQF800-EXTSPR)

#### Physical Characteristics

Material  
Wall Thickness (mm/inches)  
Ballast (kg/lbs)  
Filling  
Height (mm/inches)  
Width (mm/inches)  
Mass (kg/lbs)

Rotationally-moulded UV-stabilised virgin polyethylene  
8 / 1/3  
20 / 44  
Closed-cell polyurethane foam  
From 860 / 33 7/8  
800 / 31 1/2  
58 / 128 (SL-AQF800-CAN), 48 / 106 (SL-AQF800-CONE),  
45 / 99 (SL-AQF800-SPHERE), 46 / 101 (SL-AQF800-EXTSPR)  
Up to 12 years

#### Product Life Expectancy

#### Certifications

IALA  
Quality Assurance

Surface colours compliant to IALA E-108  
ISO9001:2008

#### Intellectual Property

Trademarks

SEALITE® is a registered trademark of Sealite Pty Ltd

#### Warranty \*

#### Lantern Options Options Available

1 year  
Sealite SL-15, SL-60 or SL-70 lantern  
• No foam filling  
• Mould-in graphics



\* Specifications subject to change or variation without notice  
\* Subject to standard terms and conditions